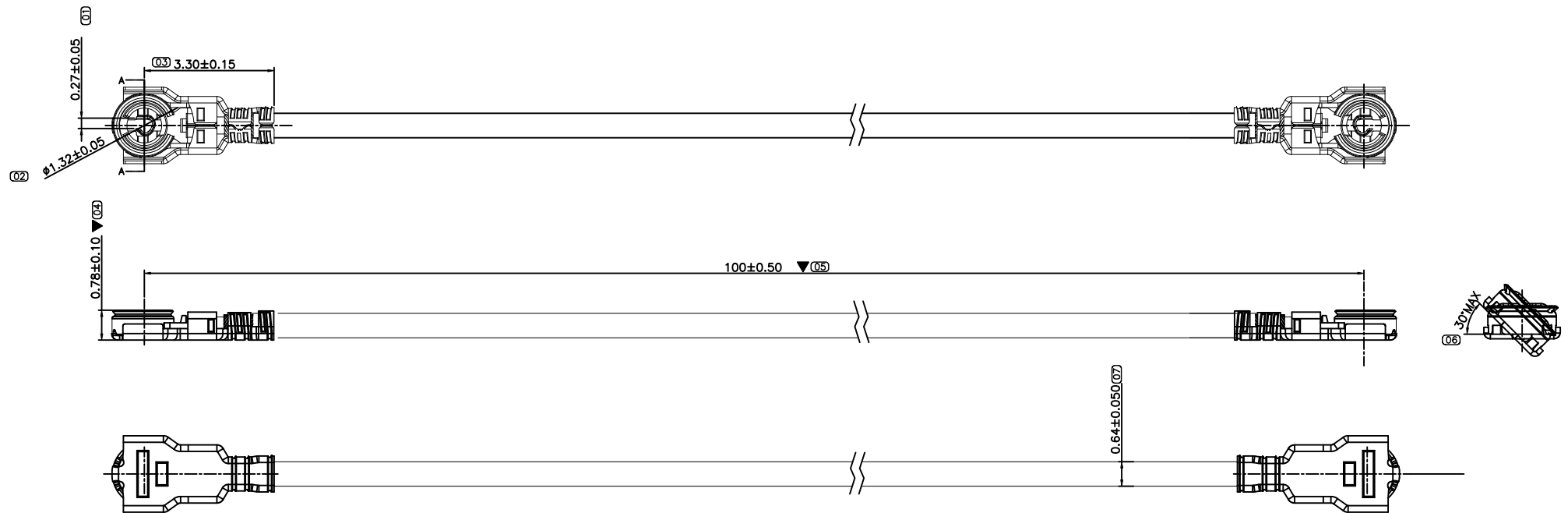


A3

REV	ECN NO	DESCRIPTION	DATE	APPD
X1		INITIAL EDITION	2017.05.10	Andrew

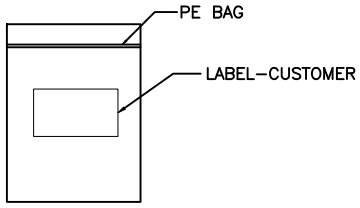


Note:

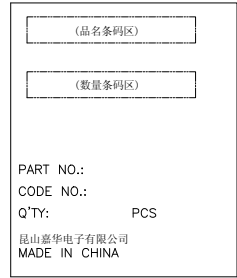
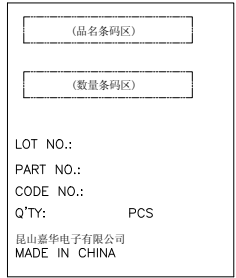
1. Technology Parameter
  - 1.1 Voltage Rating: 60VAC(R.M.S)
  - 1.2 Frequency Rating: 0.1~6G Hz
  - 1.3 Nominal Characteristic Impedance: 50 ohms
  - 1.4 Operating Temperature Range: -40°C~+90°C
  - 1.5 Operating Humidity: 25~85%R.H.MAX
2. Electric Performance
  - 2.1 Insulation Resistance: 500M ohms
  - 2.2 Contact Resistance
    - 2.2.1 Inner Contact: 20 mohms Max.
    - 2.2.2 Outer Contact: 20 mohms Max.
  - 2.3 Withstand Voltage: 200V AC 1minute
  - 2.4 VSWR: 500M~3GHz<1.3
3. Mechanism Performance
  - 3.1 Durability: 30 Cycles
4. All the material followed the ROHS standard

EXTEND USE			TITLE	
RF 1.0H CONNECTOR PLUG+CABLE			7.041AJ CONNECTOR CUSTOMER DRAWING	
GENERAL TOLERANCE (0)		MATERIAL	APPD Andrew 2017.05.10	DWG NO C-7.41AJ
DIMENSION	ANGLES	QTY	CHD	P/N: 7.041AJ-100-1B0
. ±0.30	. ±3°	FINISHED	DRN BillZheng 2017.05.10	SHEET 1/2
.0 ±0.25	.0 ±2°			SCALE 1:1
.00 ±0.20	.00 ±1°			REV X1
.000 ±0.10				

6	REV	ECN NO	DESCRIPTION	DATE	APPD
			see page 1/2	2017.05.10	Andrew

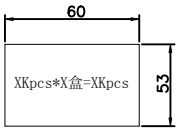


↓ 10PCS

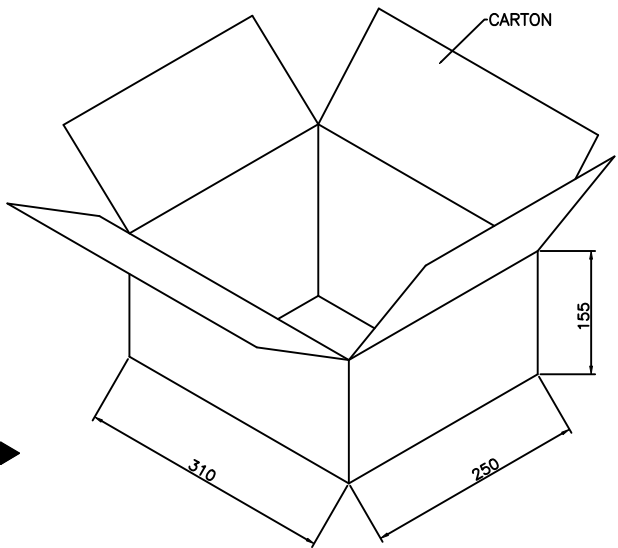
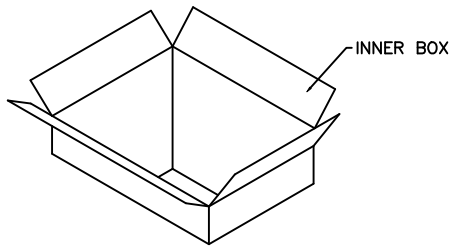


LABEL-INNER BOX

LABEL-CARTON

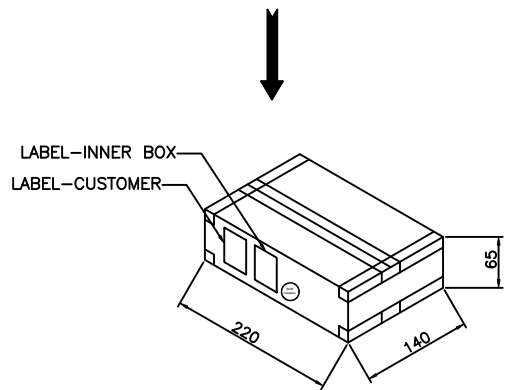


LABEL-ADD

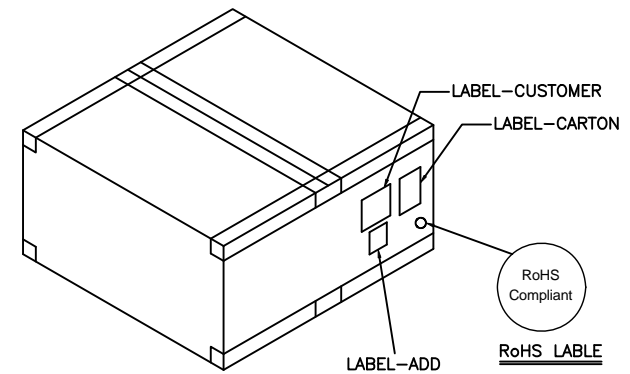


BOM:

P/N	Q'TY		
	PE BAG	INNER BOX	CARTON
7.041AJ-100-1B0	500PCS	5000PCS	20000PCS



→ 4PCS



EXTEND USE		RF 1.0H CONNECTOR PLUG+CABLE		TITLE		7.041AJ CONNECTOR CUSTOMER DRAWING		DWG NO		C-7.041AJ	
GENERAL TOLERANCE		MATERIAL		APPD		CHD		P/N:		SEE TAB	
DIMENSION		ANGLES		FINISHED		DRN		SHEET		SCALE	
. ±0.30		±3'		DRN		Billzheng 2017.05.10		1/1		1:1	
.0 ±0.25		.0 ±2'									
.00 ±0.20		.00 ±1'									
.000 ±0.10											