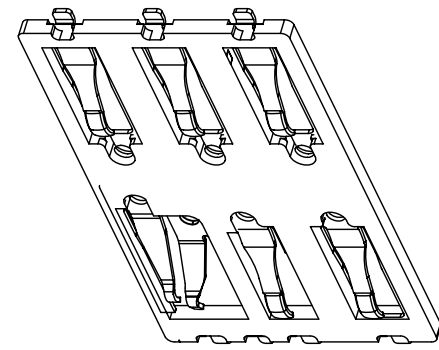
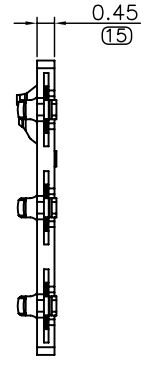
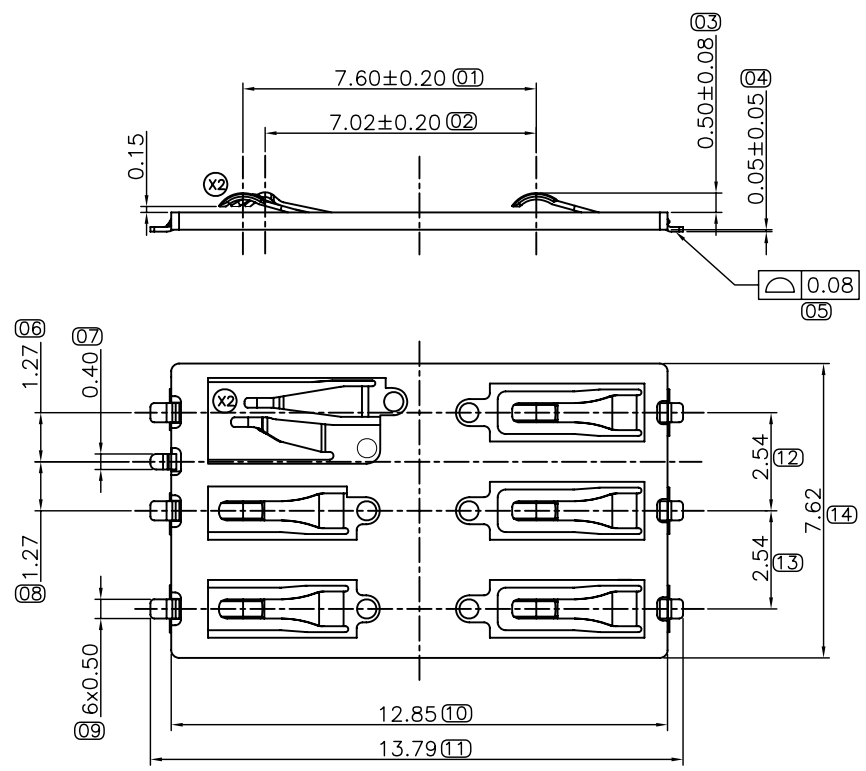
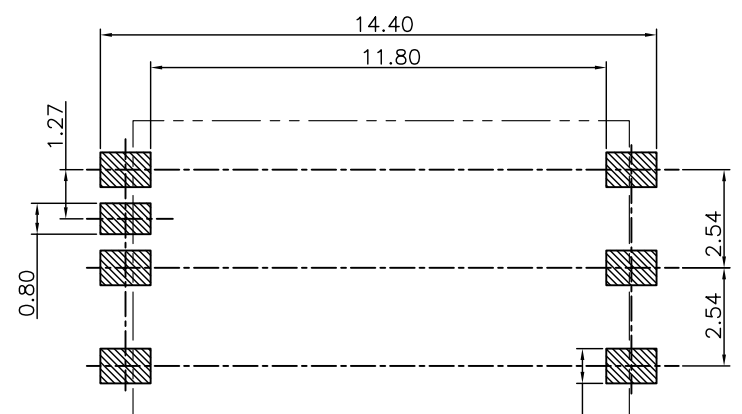


REV	ECN NO	DESCRIPTION	DATE	APPD
X1		BRAN-NEW	2013.09.12	TANLINHONG
X2	PECN1310005	客户要求修改侦测PIN头部尖端到端子面的距离	2013.10.15	TANLINHONG



- NOTE:
- 1: HOUSING MATERIAL: THERMAL PLASTIC, COLOR: BLACK;
 - 2: CONTACT MATERIAL: COPPER ALLOY;
 - 3: PLATING:
15u"(0.375um)Min. GOLD PLATING ON CONTACT AREA;
100u"(2.54um)Min. MATTE-TIN PLATING ON SOLDER AREA.
 - 4: PERFORMANCE:
4.1: CONTACT RESISTANCE: 60mOHM Max.
4.2: DIELECTRIC WITHSTANDING VOLTAGE: 200 VAC FOR 1MINUTE;
4.3: INSULATION RESISTANCE: 1000MOHM Min.
4.4: DURABILITY: 5000 TIMES Min.



RECOMMENDED PCB LAYOUT
(TOLERANCE +/-0.05)

EXTEND USE		TITLE	
MICRO SIM CARD 0.5H		MICRO SIM CARD 0.5H ASSEMBLY DRAWING	
UNIT	mm	APPD	DWG NO
GENERAL TOLERANCE (1)	MATERIAL	谭林红 2013.10.15	C-1.042A0
DIMENSION	QTY	CHD 谭林红 2013.10.15	P/N:
. ±0.30	ANGLES	DRN 黄文珠 2013.10.15	1.042A0-007-5R0
.0 ±0.25	. ±3'		SHEET
.00 ±0.20	.0 ±2'		SCALE
.000 ±0.10	.00 ±1'		1/1
	FINISHED		REV
			X2