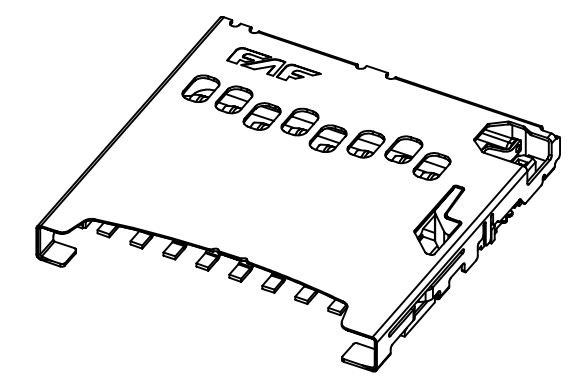
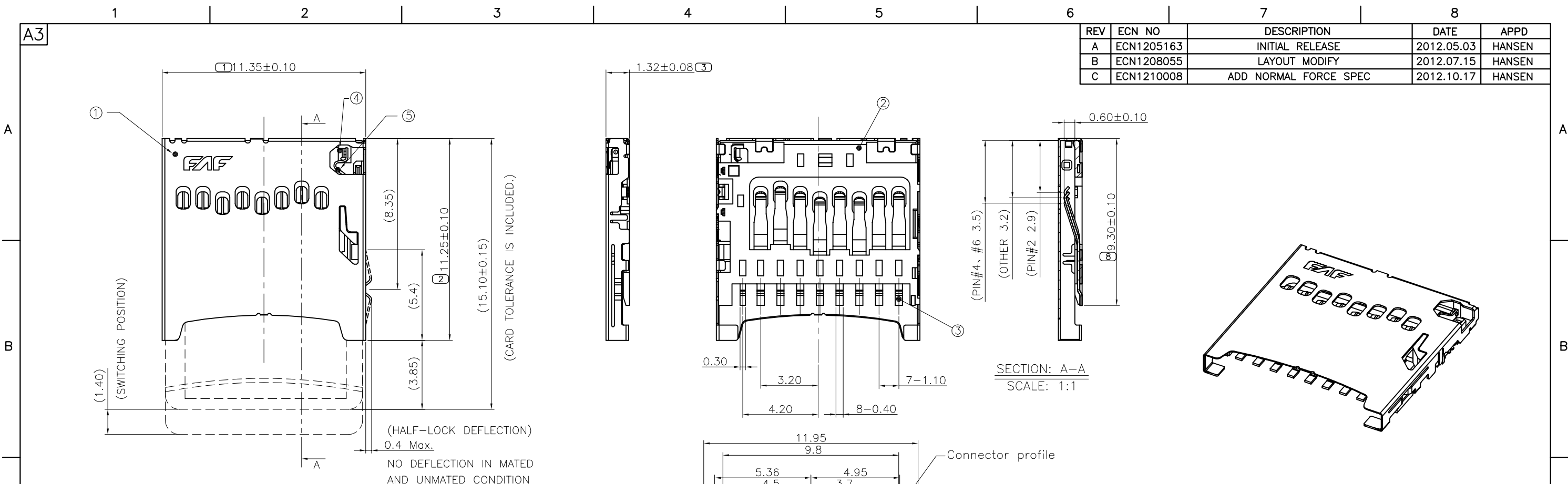
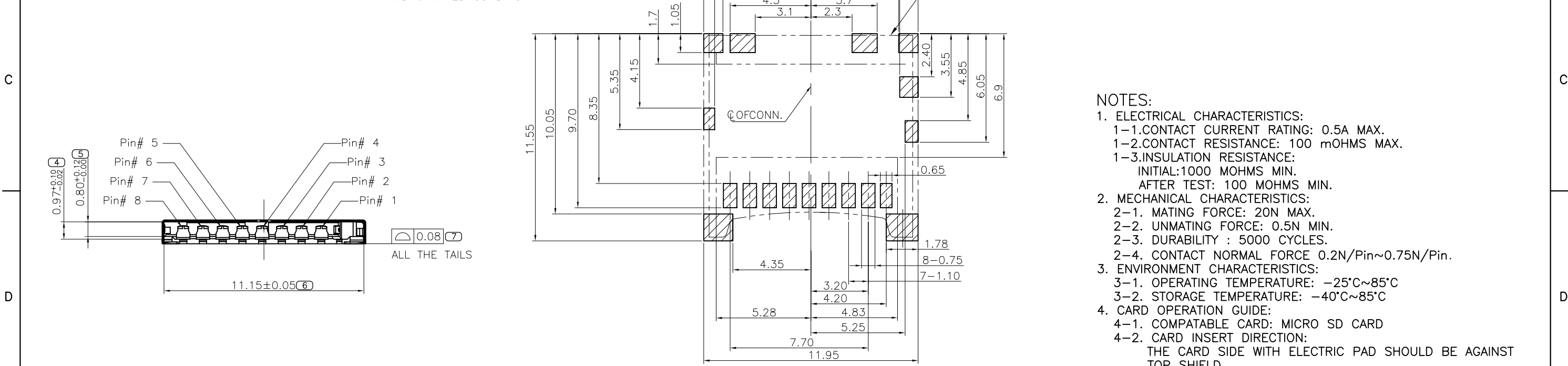


REV	ECN NO	DESCRIPTION	DATE	APPD
A	ECN1205163	INITIAL RELEASE	2012.05.03	HANSEN
B	ECN1208055	LAYOUT MODIFY	2012.07.15	HANSEN
C	ECN1210008	ADD NORMAL FORCE SPEC	2012.10.17	HANSEN

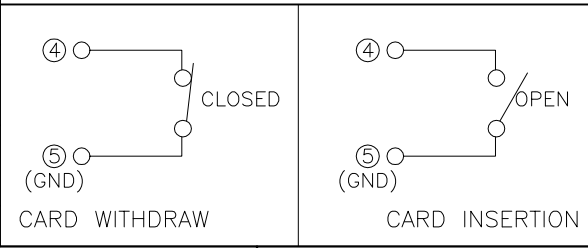


SECTION: A-A
SCALE: 1:1



- NOTES:
- ELECTRICAL CHARACTERISTICS:
 - CONTACT CURRENT RATING: 0.5A MAX.
 - CONTACT RESISTANCE: 100 mOHMS MAX.
 - INSULATION RESISTANCE:
 - INITIAL: 1000 MOHMS MIN.
 - AFTER TEST: 100 MOHMS MIN.
 - MECHANICAL CHARACTERISTICS:
 - MATING FORCE: 20N MAX.
 - UNMATING FORCE: 0.5N MIN.
 - DURABILITY: 5000 CYCLES.
 - CONTACT NORMAL FORCE 0.2N/Pin~0.75N/Pin.
 - ENVIRONMENT CHARACTERISTICS:
 - OPERATING TEMPERATURE: -25°C~85°C
 - STORAGE TEMPERATURE: -40°C~85°C
 - CARD OPERATION GUIDE:
 - COMPATIBLE CARD: MICRO SD CARD
 - CARD INSERT DIRECTION: THE CARD SIDE WITH ELECTRIC PAD SHOULD BE AGAINST TOP SHIELD
 - RECOMMENDED IR REFLOW PORCESS PEAK TEMPERATURE: 250±5°C, DURATION 10s MAX.
 - ALL SMT CONTACTS AND PADS CO-PLANARITY: 0.08mm MAX

NO PATTERN AREA
PATTERN AREA
RECOMMEND PCB LAYOUT
TOLERANCES SPEC: ±0.05

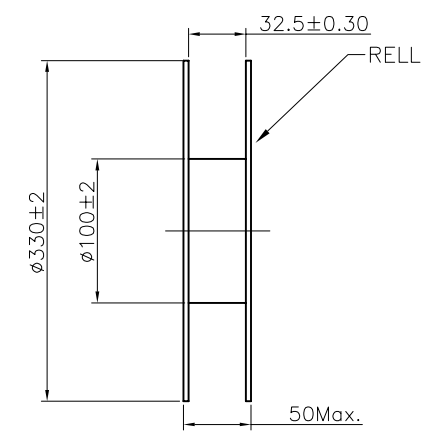
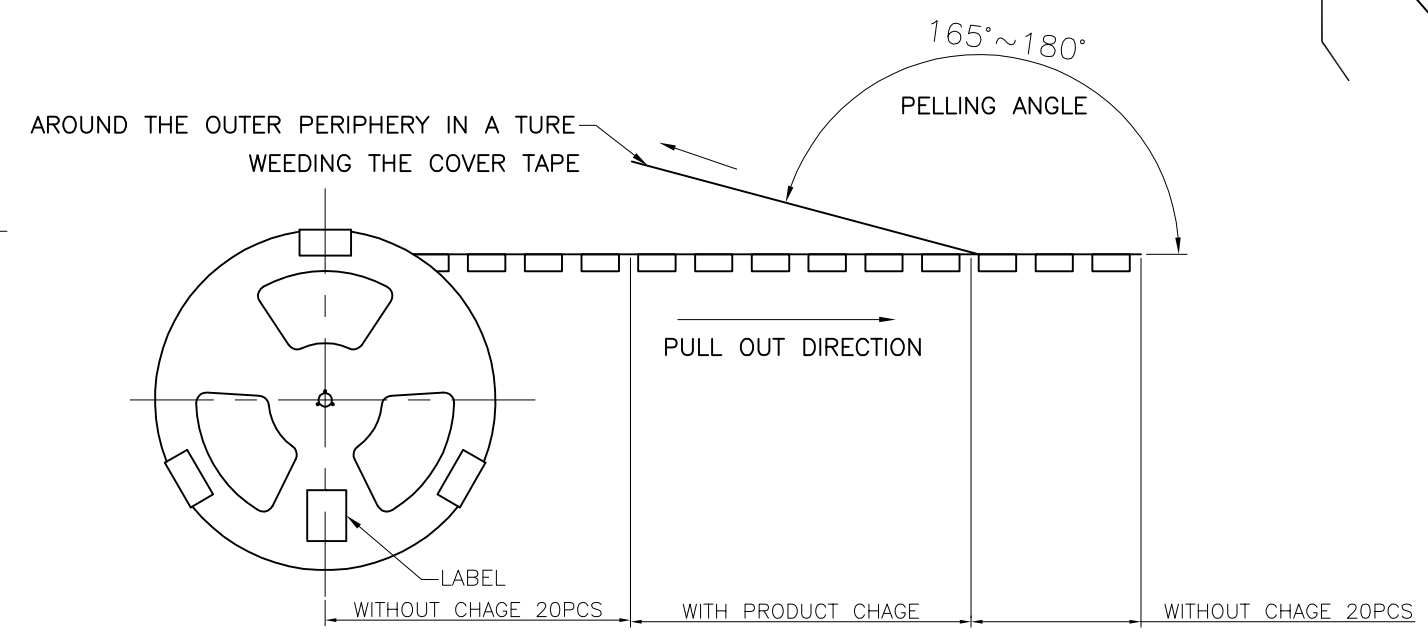
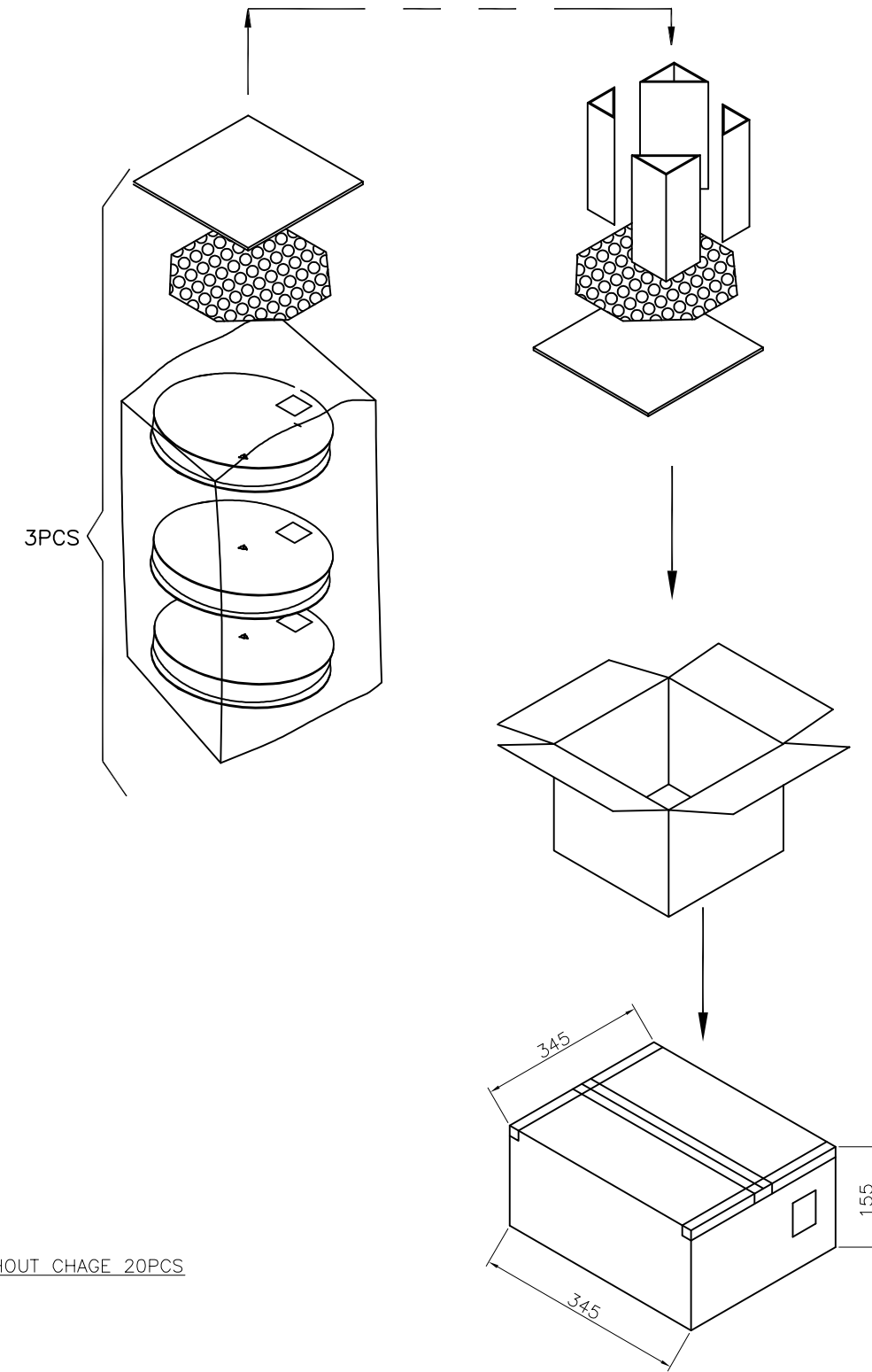
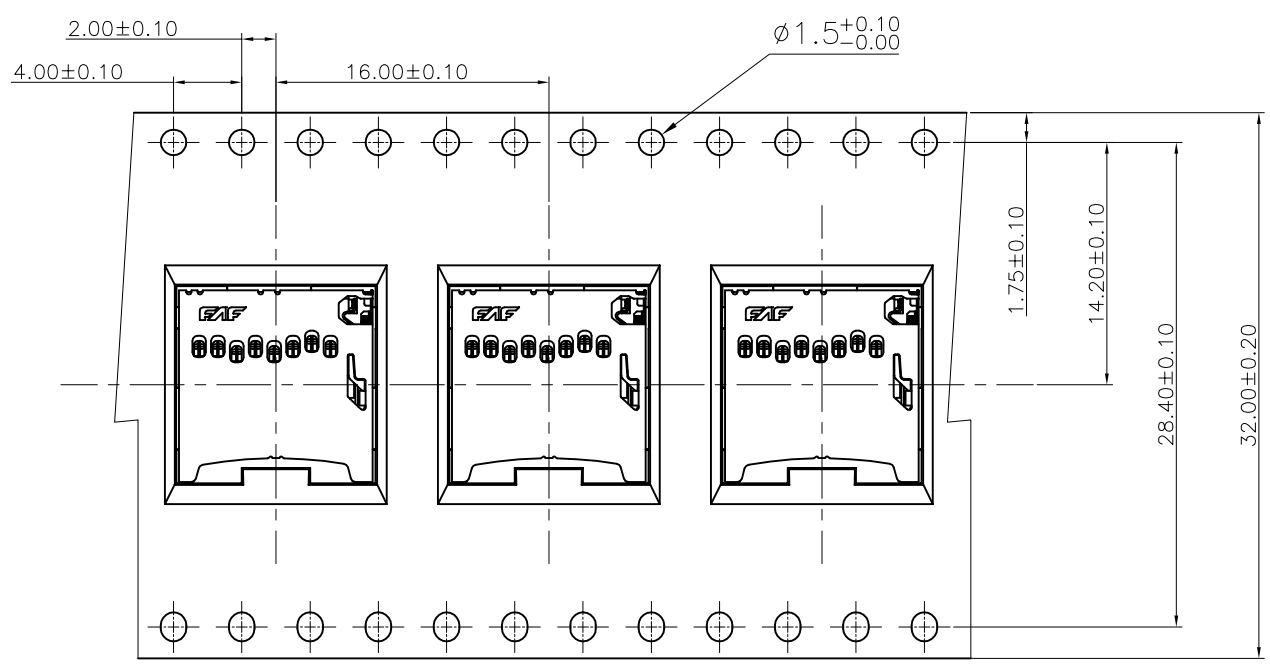


ITEM	DESCRIPTION	MATERIAL	FINISH	Q'TY
5	SWITCH A	COPPER ALLOY	NICKEL UNDER PLATED OVERALL, G/F PLATED ON CONTACT AND SOLDER AREA	1
4	SWITCH B			1
3	CONTACT	COPPER ALLOY	NICKEL UNDER PLATED OVERALL, GOLD 15u" ON CONTACT AREA G/F ON SOLDER AREA	8
2	HOUSING	THERMOPLASTIC	BLACK COLOR UL94-V0	1
1	SHELL	STAINLESS STEEL	NICKEL UNDER PLATED OVERALL, G/F PLATED ON SOLDER AREA	1

EXTEND USE	UNIT	TITLE	DWG NO	
Micro SD CONN.	mm	Micro SD CONN. Customer drawing (1.32H Push-Pull Type)	C-1.028A0	
GENERAL TOLERANCE	MATERIAL	APPD	P/N:	
DIMENTION	QTY	HANSEN 2012.10.17	1.028A0-010-5R0	
ANGLES	FINISHED	DRN	SHEET	SCALE
±0.30	FLY 2012.10.17		1/2	1:1
±0.25				
±0.20				
±0.10				

REV	ECN NO	DESCRIPTION	DATE	APPD
		SEE SHEET"1"		

A3



EXTEND USE		UNIT mm	TITLE Micro SD CONN. Customer drawing (1.32H Push-Pull Type)		DWG NO C-1.028A0
Micro SD CONN.			APPD HANSEN 2012.10.17		
GENERAL TOLERANCE		MATERIAL	P/N: 1.028A0-010-5R0		SHEET 2/2
DIMENTION			DRN FLY 2012.10.17		
PCS/REEL	PCS/CARTON	QTY	FINISHED	SCALE 1:1	REV C
2000	6000				