

A3

REV	ECN NO	DESCRIPTION	DATE	APPD
A	ECN1006068	INITIAL EDITION	2010.03.11	Hansen Kao
B	ECN1006110	CHANGE P/N	2010.06.23	Ford Liu
C	ECN1112117	CHANGE PCB LAYOUT	2011.12.31	Ford Liu
D	ECN1209166	CHANGE SHELL	2012.09.28	Ford Liu
E	ECN1305110	CHANGE HOUSING AND TERMINAL	2013.05.22	Bill Zheng
F	ECN1403020	CHANGE TERMINAL	2014.03.12	Bill Zheng

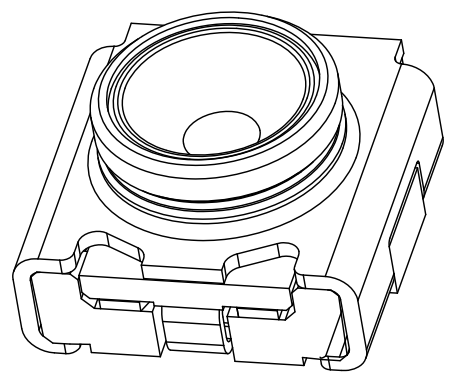
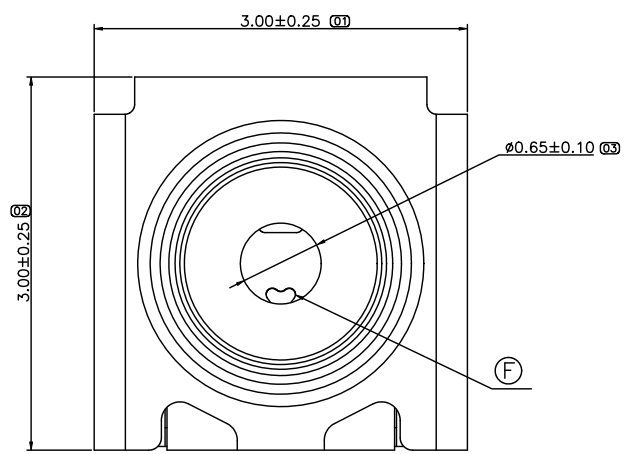
A

B

C

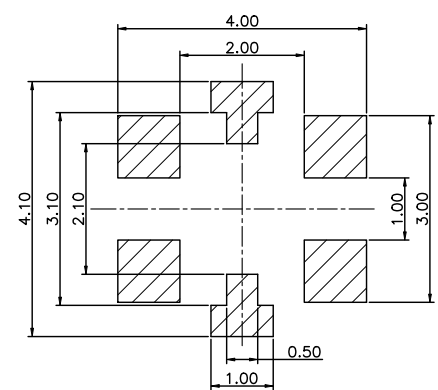
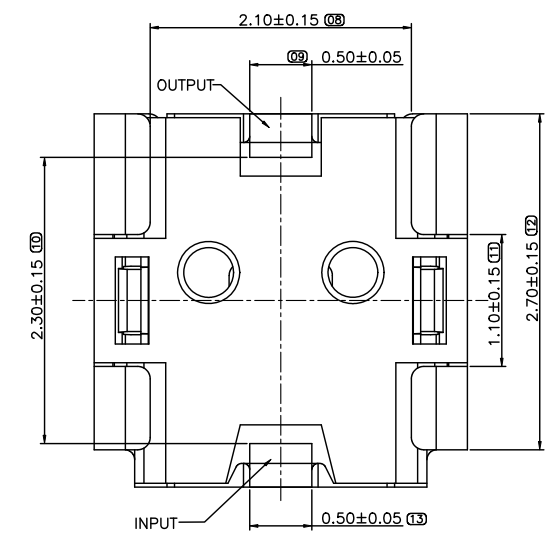
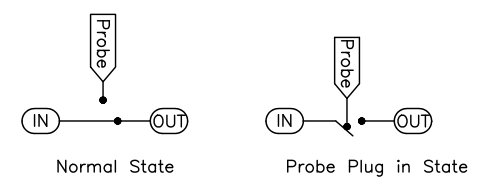
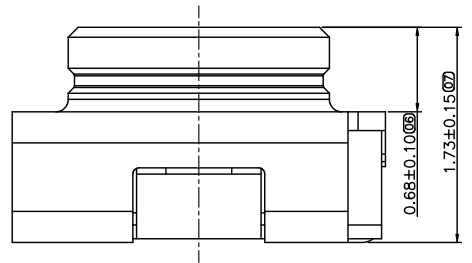
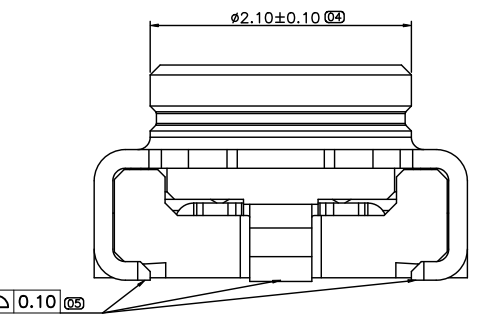
D

E



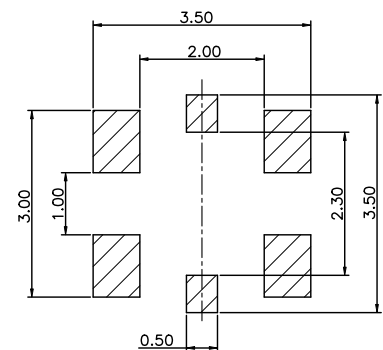
NOTE:

- MATERIALS:
  - HOUSING: THERMOPLASTIC, UL94 V-0, COLOR: BLACK;
  - COVER: THERMOPLASTIC, UL94 V-0, COLOR: BLACK;
  - TERMINAL-A: STAINLESS STEEL, T=0.06±0.01;
  - TERMINAL-B: COPPER ALLOY, T=0.10±0.01;
  - SHELL: COPPER ALLOY, T=0.15±0.01;
- FINISH:
  - TERMINAL-A: 3u" Min. GOLD PLATING ON CONTACT AREA OVER 30u" Min. NICKEL UNDERPLATING;
  - TERMINAL-B: 3u" Min. GOLD PLATING ON CONTACT AREA OVER 30u" Min. NICKEL UNDERPLATING;
  - SHELL: 50u" Min Ag PLATING ALL OVER; 30u" Min. NICKEL UNDERPLATING;
- PERFORMANCE:
  - RATINGS:
    - VOLTAGE RATING: 250V AC
    - SERVICE TEMPERATURE: -40°~+90°
    - STORAGE TEMPERATURE: -10°~+40°
  - INSULATION RESISTANCE: 500MOHM Min.



RECOMMENDED PCB LAYOUT  
(TOLERANCE: ±0.03)

SCALE: 1:2



RECOMMENDED STENCIL MASK PATTERN  
(TOLERANCE: ±0.03)  
THICKNESS: 0.12mm

SCALE: 1:2

EXTEND USE		TITLE		DWG NO	
RF SWITCH 3*3 CONNECTOR		7.006A1 CONNECTOR CUSTOMER DRAWING		C-7.006A1	
GENERAL TOLERANCE (D)		MATERIAL		APPD	
DIMENSION		QTY		CHD	
ANGLES		FINISHED		DRN	
P/N:		SHEET		SCALE	
7.006A1-000-1R0		1/2		1:1	
REV		REV		REV	
F		F		F	

A

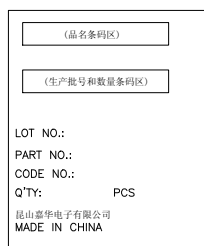
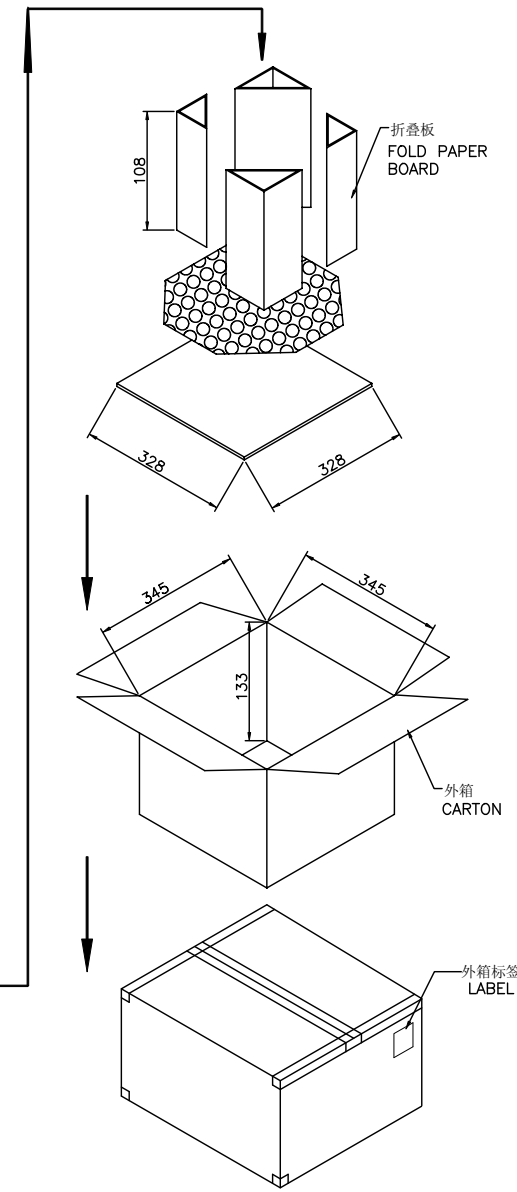
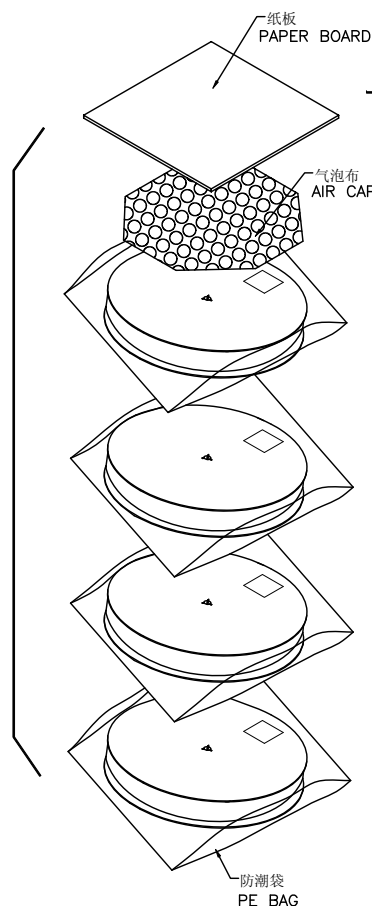
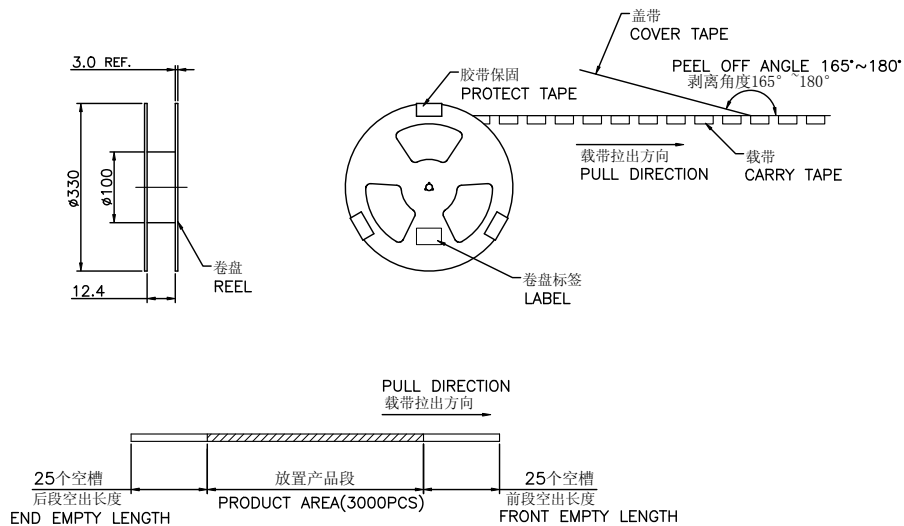
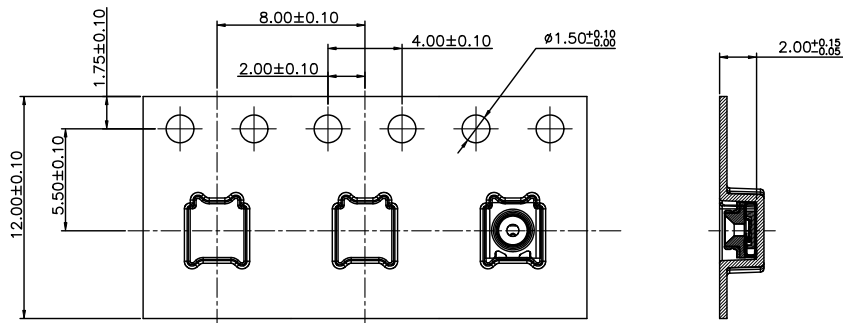
B

C

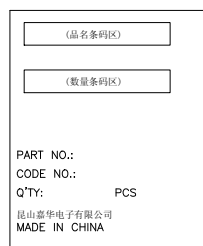
D

E

REV	ECN NO	DESCRIPTION	DATE	APPD
		SEE SHEET 1/2		



卷盘标签示意图 LABEL



外箱标签示意图 LABEL

1: 包装内容  
INFORMATIONS OF THE PACKING

料号 (P/N)	一卷包装数量 Q'TY/REEL	一箱包装数量 Q'TY/CARTON
7.006A1-000-1R0	3000PCS	12000PCS

EXTEND USE		TITLE		DWG NO	
RF SWITCH 3*3 CONNECTOR		7.006A1 CONNECTOR CUSTOMER PACKING		C-7.006A1-P	
UNIT mm		MATERIAL		P/N:	
GENERAL TOLERANCE		APPD		7.006A1-000-1R0	
DIMENSION		CHD		SHEET	
. ±0.30	ANGLES	David Wang 2014.03.12		2/2	
.0 ±0.25	. ±3'	DRN		SCALE	
.00 ±0.20	.0 ±2'	Tony Tai 2014.03.12		1:1	
.000 ±0.10	.00 ±1'	FINISHED		REV	
				F	