

# B250010

# SIN



- ▶ 主要技术特性 (Main Specifications)
- ▶ 适用导线规格 (Applicable wire) : AWG28#~14#
- ▶ 适用基板厚度 (Applicable PC board thickness) : 1.2mm~1.6mm
- ▶ 温度范围 (Temperature range) : -25°C~+85°C
- ▶ 额定电压 (Voltage rating) : 250V AC, DC
- ▶ 额定电流 (Current rating) : 3A AC, DC
- ▶ 接触电阻 (Contact resistance) :  $\leq 0.02\Omega$
- ▶ 绝缘电阻 (Insulation resistance) :  $\geq 1000M\Omega$
- ▶ 耐压 (Withstanding voltage) : 1000V AC/minute

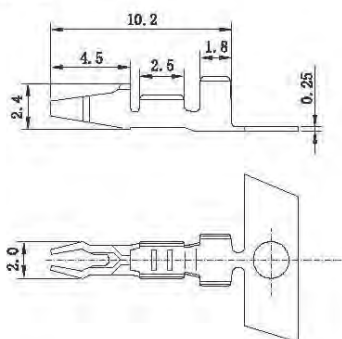
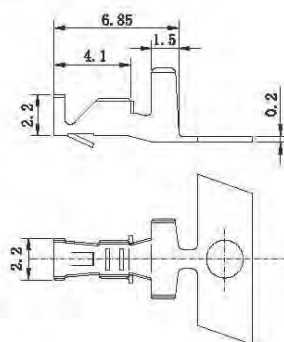
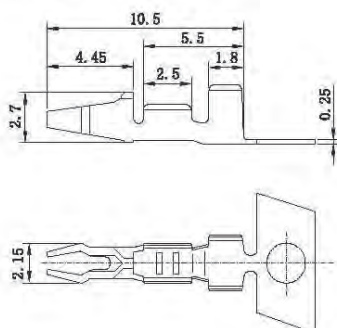
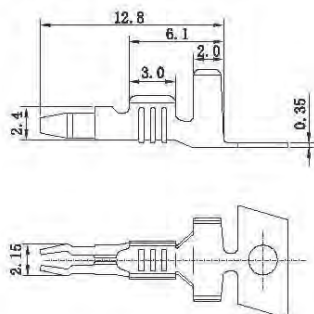
### 材料及电镀规格 Material and Finish

型号 Type	材料 Material	材料厚度 Material Thickness	电镀规格 Finish
端子 TERMINAL (SIN-A)	锡青铜 Phosphor bronze	0.25mm	镀锡 Tin-plated
端子 TERMINAL (SIN-B)	锡青铜 Phosphor bronze	0.2mm	镀锡 Tin-plated
端子 TERMINAL (SIN-C)	锡青铜 Phosphor bronze	0.25mm	镀锡 Tin-plated
端子 TERMINAL (SIN-D)	黄铜 Brass	0.35mm	镀锡 Tin-plated
端子 TERMINAL (SIN-DG)	黄铜 Brass	0.35mm	镀锡 Tin-plated
端子 TERMINAL (SIN-E)	锡青铜 Phosphor bronze	0.25mm	镀锡 Tin-plated
端子 TERMINAL (SIN-F)	锡青铜 Phosphor bronze	0.2mm	镀锡 Tin-plated
端子 TERMINAL (SIN-G)	锡青铜 Phosphor bronze	0.2mm	镀锡 Tin-plated
端子 TERMINAL (SIN-H)	锡青铜 Phosphor bronze	0.2mm	镀锡 Tin-plated
端子 TERMINAL (SIN-I)	锡青铜 Phosphor bronze	0.2mm	镀锡 Tin-plated
端子 TERMINAL (SIN-K)	锡青铜 Phosphor bronze	0.2mm	镀锡 Tin-plated

### 产品尺寸图 Product size chart

 单位: mm 一般公差:  $\pm 0.20$ 

## TERMINAL

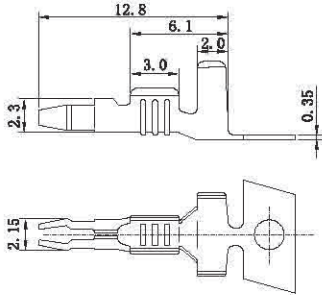
**B250010-4A SIN-A**

**B250010-4B SIN-B**

**B250010-4C SIN-C**

**B250010-4D SIN-D**


# B250010

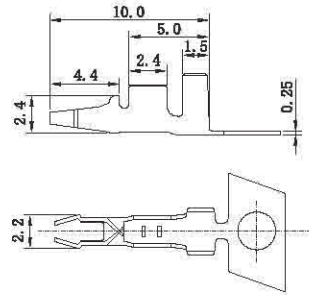
# SIN

TERMINAL

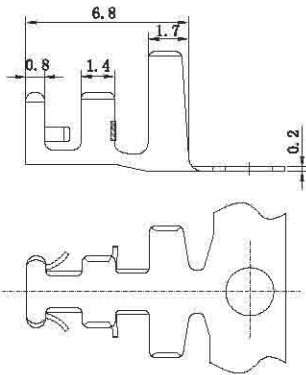
**B250010-4DG**    **SIN-DG**



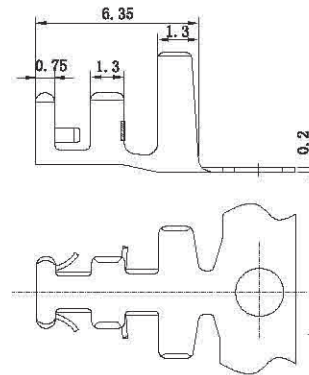
**B250010-4E**    **SIN-E**



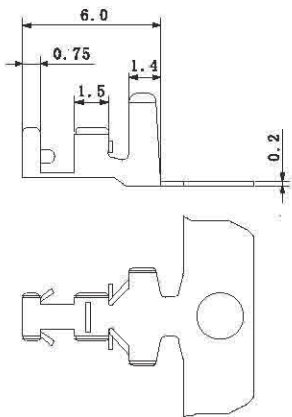
**B250010-4F**    **SIN-F**



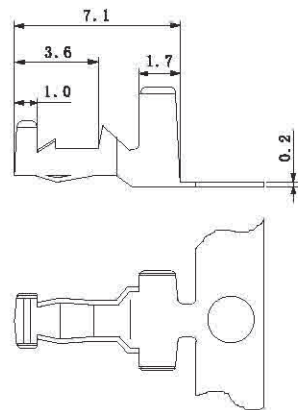
**B250010-4G**    **SIN-G**



**B250010-4H**    **SIN-H**



**B250010-4I**    **SIN-I**



**B250010-4K**    **SIN-K**

