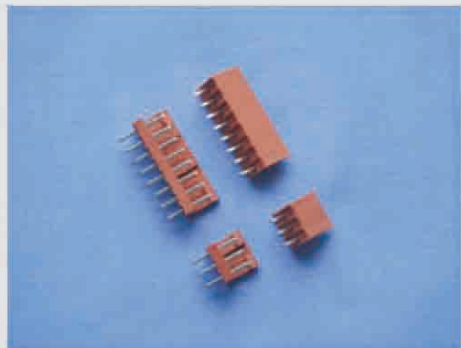


# B250015



### ▶ 主要技术特性 (Main Specifications)

- ▶ 适用导线规格 (Applicable wire) : —
- ▶ 适用基板厚度 (Applicable PC board thickness) : 0.8mm~1.6mm
- ▶ 温度范围 (Temperature range) : -25°C~+85°C
- ▶ 额定电压 (Voltage rating) : 250V AC, DC
- ▶ 额定电流 (Current rating) : 2A AC, DC
- ▶ 接触电阻 (Contact resistance) :  $\leq 0.02\Omega$
- ▶ 绝缘电阻 (Insulation resistance) :  $\geq 1000M\Omega$
- ▶ 耐压 (Withstanding voltage) : 1000V AC/minute

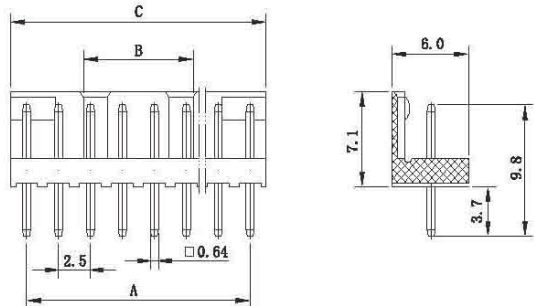
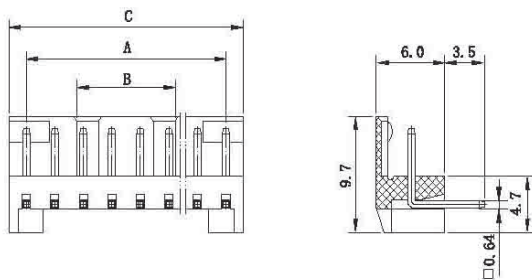
### 材料及电镀规格 Material and Finish

| 型号 Type  | 材料 Material | 材料厚度 Material Thickness | 电镀规格 Finish   |
|----------|-------------|-------------------------|---------------|
| 插座 WAFER | 塑胶 HOUSING  | PA66 UL94V-0            | N/A           |
|          | 针PIN        | 黄铜 Brass                | 镀锡 Tin-plated |

### 产品尺寸图 Product size chart

 单位: mm 一般公差:  $\pm 0.20$ 

## WAFER

**B250015-1**    **366-921**

**B250015-1W**    **366-922**


## WAFER

| 极数<br>Circuits | 型号<br>Type   | 尺寸(Dimensions)mm |      |      | 备注型号<br>P. S. Type |
|----------------|--------------|------------------|------|------|--------------------|
|                |              | A                | B    | C    |                    |
| 2              | B250015-1-02 | 2.5              | 1.6  | 5.0  | 366-921-A          |
| 3              | B250015-1-03 | 5.0              | 2.1  | 7.5  | 366-921-B          |
| 4              | B250015-1-04 | 7.5              | 2.6  | 10.0 | 366-921-C          |
| 5              | B250015-1-05 | 10.0             | 3.1  | 12.5 | 366-921-D          |
| 6              | B250015-1-06 | 12.5             | 3.6  | 15.0 | 366-921-E          |
| 7              | B250015-1-07 | 15.0             | 6.1  | 17.5 | 366-921-F          |
| 8              | B250015-1-08 | 17.5             | 8.6  | 20.0 | 366-921-G          |
| 9              | B250015-1-09 | 20.0             | 11.1 | 22.5 | 366-921-H          |
| 10             | B250015-1-10 | 22.5             | 13.6 | 25.0 | 366-921-I          |
| 11             | B250015-1-11 | 25.0             | 16.1 | 27.5 | 366-921-J          |
| 12             | B250015-1-12 | 27.5             | 18.6 | 30.0 | 366-921-K          |
| 13             | B250015-1-13 | 30.0             | 33.0 | 32.5 | 366-921-L          |
| 14             | B250015-1-14 | 32.5             | 35.5 | 35.0 | 366-921-M          |
| 15             | B250015-1-15 | 35.0             | 38.0 | 37.5 | 366-921-N          |

| 极数<br>Circuits | 型号<br>Type    | 尺寸(Dimensions)mm |      |      | 备注型号<br>P. S. Type |
|----------------|---------------|------------------|------|------|--------------------|
|                |               | A                | B    | C    |                    |
| 2              | B250015-1W-02 | 2.5              | 1.6  | 5.5  | 366-922-A          |
| 3              | B250015-1W-03 | 5.0              | 2.1  | 8.0  | 366-922-B          |
| 4              | B250015-1W-04 | 7.5              | 2.6  | 10.5 | 366-922-C          |
| 5              | B250015-1W-05 | 10.0             | 3.1  | 13.0 | 366-922-D          |
| 6              | B250015-1W-06 | 12.5             | 3.6  | 15.5 | 366-922-E          |
| 7              | B250015-1W-07 | 15.0             | 6.1  | 18.0 | 366-922-F          |
| 8              | B250015-1W-08 | 17.5             | 8.6  | 20.5 | 366-922-G          |
| 9              | B250015-1W-09 | 20.0             | 11.1 | 23.0 | 366-922-H          |
| 10             | B250015-1W-10 | 22.5             | 13.6 | 25.5 | 366-922-I          |
| 11             | B250015-1W-11 | 25.0             | 16.1 | 28.0 | 366-922-J          |
| 12             | B250015-1W-12 | 27.5             | 18.6 | 30.5 | 366-922-K          |
| 13             | B250015-1W-13 | 30.0             | 33.0 | 33.0 | 366-922-L          |
| 14             | B250015-1W-14 | 32.5             | 35.5 | 35.5 | 366-922-M          |
| 15             | B250015-1W-15 | 35.0             | 38.0 | 38.0 | 366-922-N          |