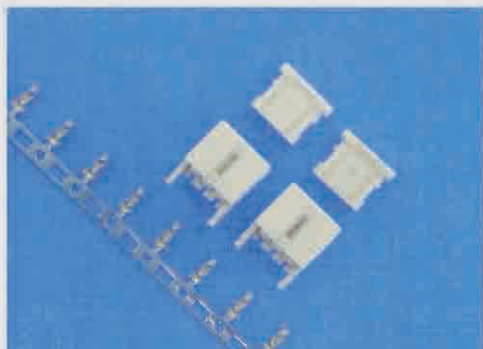


B250031



► 主要技术特性 (Main Specifications)

- 适用导线规格 (Applicable wire) : AWG28#~22#
- 适用基板厚度 (Applicable PC board thickness) : 1.2mm~1.6mm
- 温度范围 (Temperature range) : -25°C~+85°C
- 额定电压 (Voltage rating) : 250V AC, DC
- 额定电流 (Current rating) : 2A AC, DC
- 接触电阻 (Contact resistance) : $\leq 0.02\Omega$
- 绝缘电阻 (Insulation resistance) : $\geq 1000M\Omega$
- 耐压 (Withstanding voltage) : 1000V AC/minute

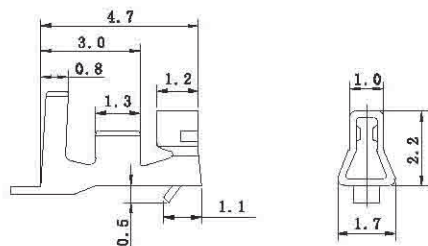
材料及电镀规格 Material and Finish

型号 Type	材料 Material	材料厚度 Material Thickness	电镀规格 Finish
插座 WAFER	塑胶 HOUSING	PBT UL94V-0	N/A
	钎PIN	黄铜 Brass	镀锡 Tin-plated
孔座 HOUSING	PA66 UL94V-0	—	N/A
端子 TERMINAL	锡青铜 Phosphor bronze	0.2mm	镀锡 Tin-plated

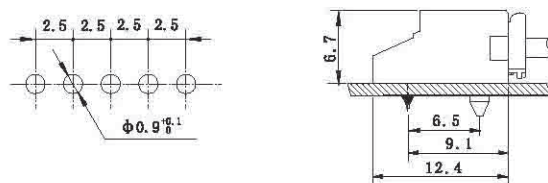
产品尺寸图 Product size chart

 单位: mm 一般公差: ± 0.20

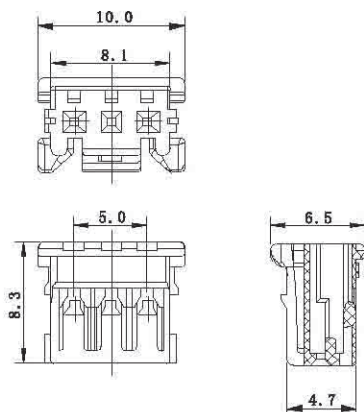
TERMINAL

B250031-4 **1376476**


安装尺寸 (Mounting measurement)



HOUSING

B250031-2-03 **1376477-3Y**


WAFER

B250031-1-03 **1376477-3AWD**
