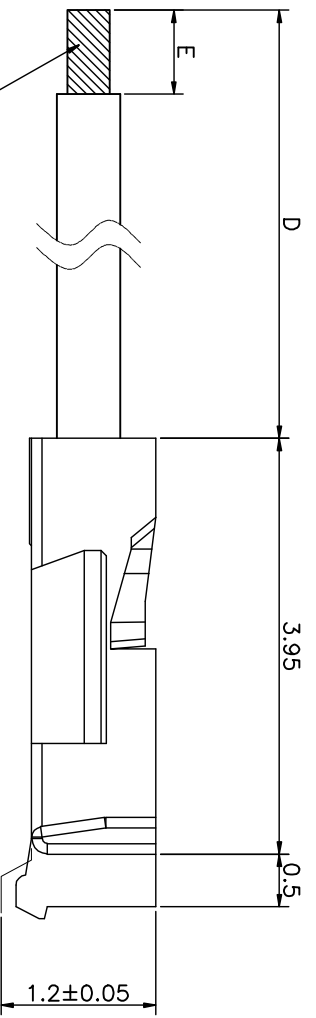
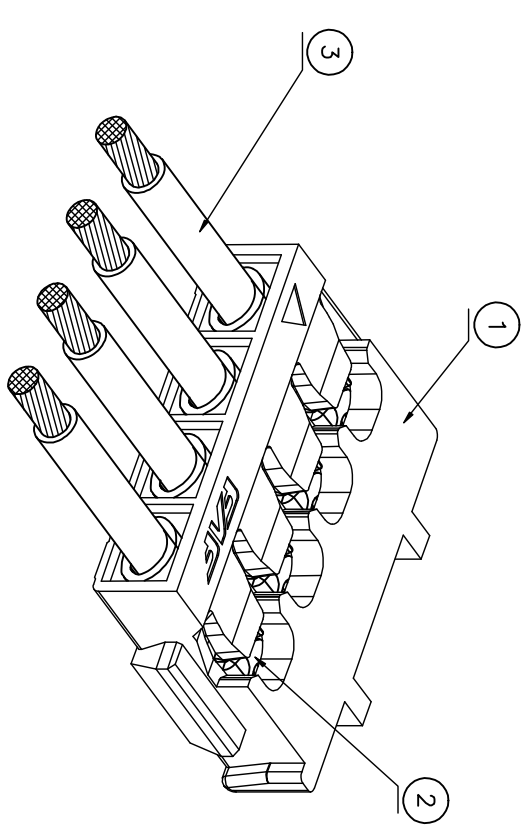
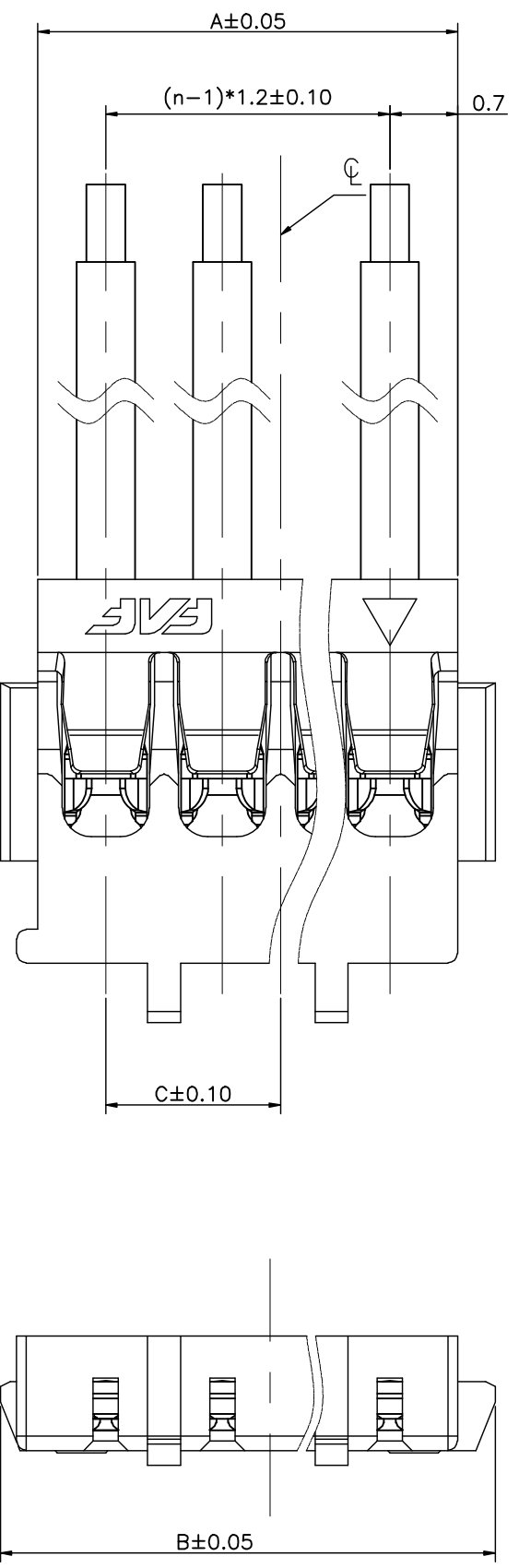


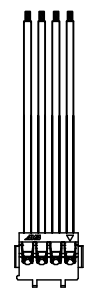
REV	ECN NO	DESCRIPTION	DATE	APPD
X1		INITIAL RELEASE	2012.12.24	BILL
X2		CHANGE 9.103A2 CABLE LENGTH	2013.01.26	BILL
X3		ADD 9.103A5,9.103A6 ADD 7PIN&8PIN	2013.03.11	BILL



- NOTES:
- ELECTRICAL CHARACTERISTICS:
 - CONTACT CURRENT RATING: 2.5A MAX.
 - CONTACT RESISTANCE: 10 mOHMS MAX.
 - INSULATION RESISTANCE: INITIAL:100 MOHMS MIN. AFTER TEST: 100 MOHMS MIN.
 - MECHANICAL CHARACTERISTICS:
 - MATING FORCE: 24N MAX.
 - UNMATING FORCE: 2.5N MIN.
 - DURABILITY : 20 CYCLES.
 - CRIMP TENSILE STRENGTH :15N Min.
 - CONTACT RETENTION FOREC :10N Min.
 - ENVIRONMENT CHARACTERISTICS:
 - OPERATING TEMPERATURE: -25°C~85°C
 - P/N: 9.103A*-***-5R0

- 003:3 PIN
 - 004:4 PIN
 - 005:5 PIN
 - 006:6 PIN
 - 007:7 PIN
 - 008:8 PIN
- CABLE LENGTH
SEE TABLE

ITEM	DESCRIPTION	Q'TY	MATERIAL	FINISH	ITEM	A	B	C	D	E	EXTEND	USE	GENERAL TOLERANCE	ANGLES	QTY	FINISHED	DRN	TITLE	DWG NO	P/N:	SHEET	SCALE	REV
1	HOUSING	1	THERMOPLASTIC	GRAY COLOR,UL94 V-0	3PIN	3.80	4.57	1.20	9.103A1	9.103A2	9.103A3	9.103A4	9.103A5	9.103A6	9.103A7	9.103A8	CHD	WTB 1.43H PLUG Cable Assembly Customer Drawing	C-9.103A1	2018.08.11	1/2	1:1	X3
2	SIGNAL CONTACT	4	COPPER ALLOY	NICKEL PLATING OVERALL Au PLATING AT CONTACT AREA	4PIN	5.00	5.77	1.80	9.103A1	9.103A2	9.103A3	9.103A4	9.103A5	9.103A6	9.103A7	9.103A8	APPD	WTB 1.43H PLUG Cable Assembly Customer Drawing	C-9.103A1	2018.08.11	1/2	1:1	X3
3	CABLE	4	TIN-PLATED ANNEALED COPPER WIRE AWG #28 TO #30		8PIN	9.80	10.57	4.20	9.103A1	9.103A2	9.103A3	9.103A4	9.103A5	9.103A6	9.103A7	9.103A8	CHD	WTB 1.43H PLUG Cable Assembly Customer Drawing	C-9.103A1	2018.08.11	1/2	1:1	X3



400PCS/BAG

(CODE OF PN) _____

(CODE OF QTY) _____

LOT NO.: _____

PART NO.: _____ PCS

CODE NO.: _____

QTY: _____

Kunshan Jishua electronics CO.,LTD
MADE IN CHINA

(CODE OF PN) _____

(CODE OF QTY) _____

PART NO.: _____ PCS

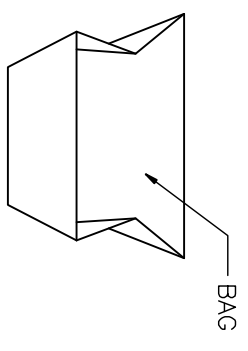
CODE NO.: _____

QTY: _____

Kunshan Jishua electronics CO.,LTD
MADE IN CHINA

BOM:

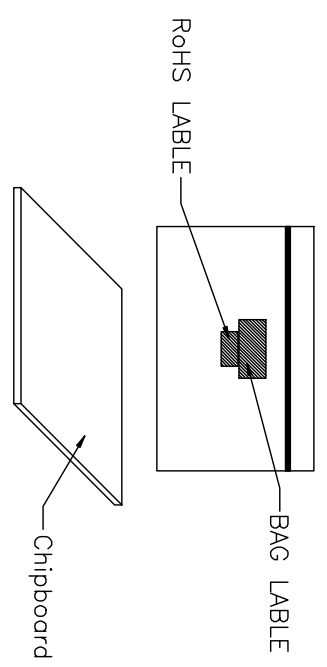
ITEM	P/N	SPEC.	Q'TY
WTB PLUG IN WITH CABLE	9.103A0-004-5R0		8000PCS
CARTON	U.003CZ-036-001	236*157*171	1PCS
CARTON LABEL	U.000LW-001-001		1PCS
BAG	U.000BZ-002-004	170*250	4PCS
BAG LABEL	U.000LW-000-001		4PCS
ROHS LABEL			1PCS
UL LABEL			1PCS



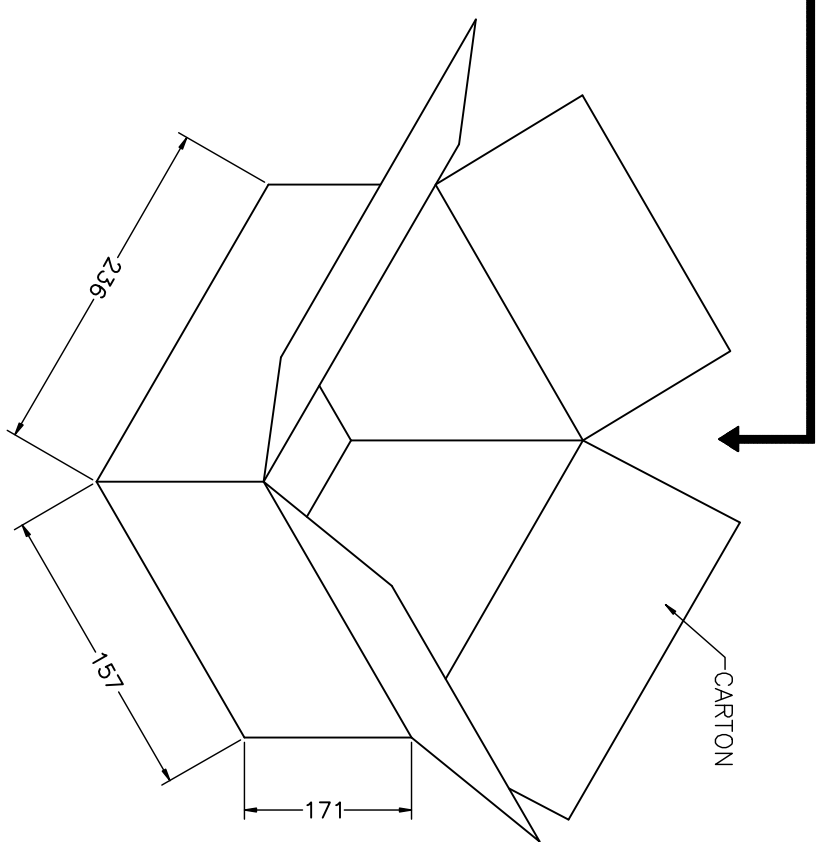
BAG

10 BAGS/LAYER

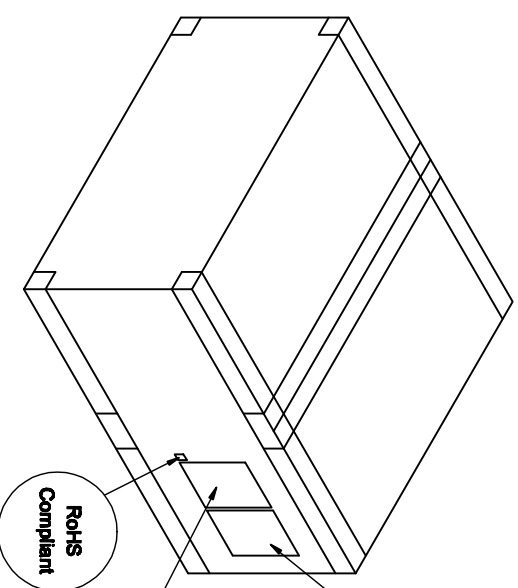
8000PCS/CARTON



Chipboard



CARTON



RoHS Compliant

CARTON LABEL

UL LABEL

RoHS LABEL

EXTEND	USE	TITLE		DWG NO	
WTB 1.43H CONNECTOR		WTB 1.43H PLUG Cable Assembly Customer Drawing		C-9.103A1	
GENERAL TOLERANCE	ANGLES	UNIT	MATERIAL	APPD	CHD
±0.30	±3°	mm		BILL	ANDREW
±0.25	.0 ±2°	QTY	FINISHED	2019.09.11	2019.09.11
.00 ±0.20	.00 ±1°				
.000 ±0.10					
		P/N:		SEE TABLE	
		SHEET		SCALE	
		2/2		1:1	
		REV		X3	
		TED			
		2019.09.11			



C-9.103A1

SEE TABLE

SCALE 1:1

REV X3