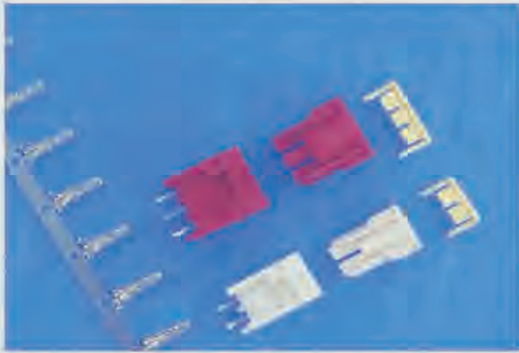


B350001



- ▶ 主要技术特性 (Main Specifications)
- ▶ 适用导线规格 (Applicable wire) : AWG24#~20#
- ▶ 适用基板厚度 (Applicable PC board thickness) : 1.6mm
- ▶ 温度范围 (Temperature range) : -25°C~+85°C
- ▶ 额定电压 (Voltage rating) : 250V AC, DC
- ▶ 额定电流 (Current rating) : 2A AC, DC
- ▶ 接触电阻 (Contact resistance) : $\leq 0.02\Omega$
- ▶ 绝缘电阻 (Insulation resistance) : $\geq 1000M\Omega$
- ▶ 耐压 (Withstanding voltage) : 1000V AC/minute

材料及电镀规格 Material and Finish

型号 Type	材料 Material	材料厚度 Material Thickness	电镀规格 Finish
插座 WAFER	塑胶 HOUSING	PA66 UL94V-0	N/A
	针 PIN	黄铜 Barss	镀锡 Tin-plated
孔座 HOUSING	PA66 UL94V-0	—	N/A
端子 TERMINAL	磷青铜 Phosphor bronze	0.2mm	镀锡 Tin-plated

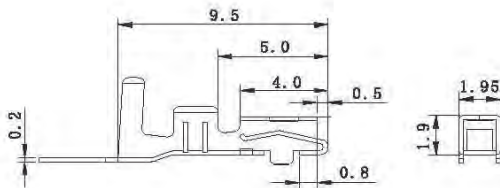
产品尺寸图 Product size chart

 单位: mm 一般公差: ± 0.20

TERMINAL

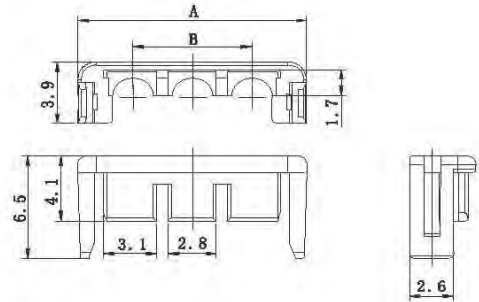
B350001-4 172197-M2

B350001-4-B 172197-M2-B 矮脚



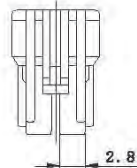
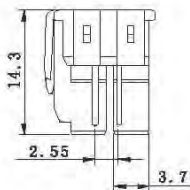
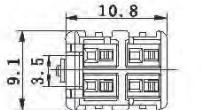
HOUSING

3	B350001-5-03	N7891-9503	13.5	7.0
2	B350001-5-02	N7891-9502	10.0	3.5
线数	型号	备注名称	尺寸	
			A	B



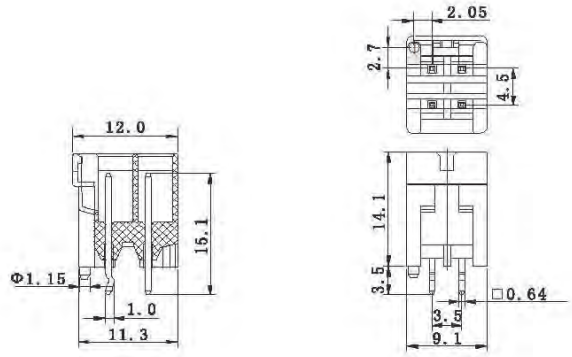
HOUSING

B350001-2-04



WAFER

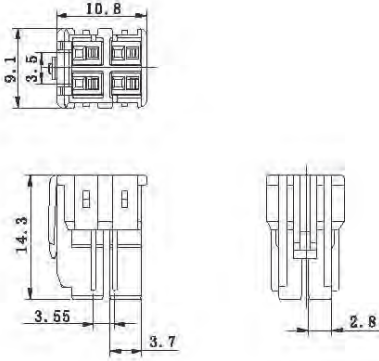
B350001-1A-04



B350001

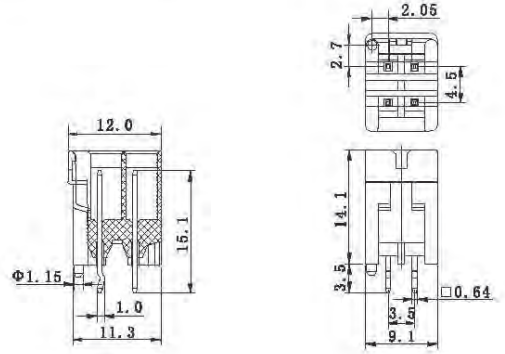
HOUSING

B350001-2B-04



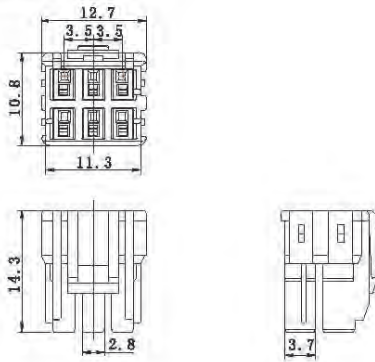
WAFER

B350001-1BA-04



HOUSING

B350001-2-06



WAFER

B350001-1A-06

