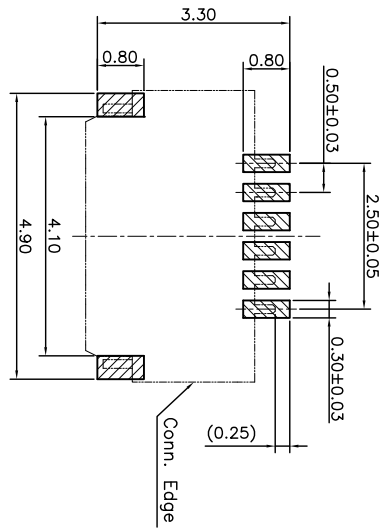
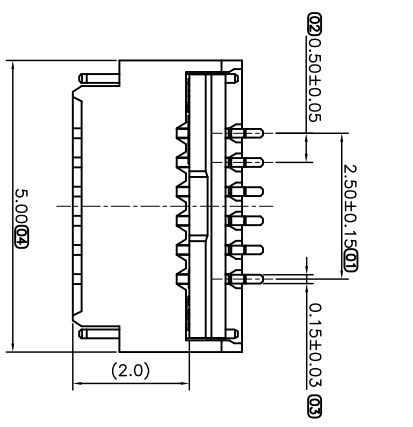
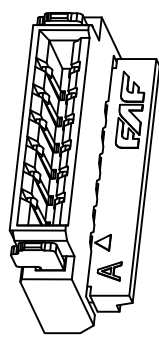


REV	ECN NO	DESCRIPTION	DATE	APPD
X1	ECN1302020	Initial Release	2013.2.22	Ford Liu
X2	ECN1303111	Add Packing Drawing	2013.3.25	Ford Liu



RECOMMENDED PCB LAYOUT
TOLERANCE±0.05

NOTE:

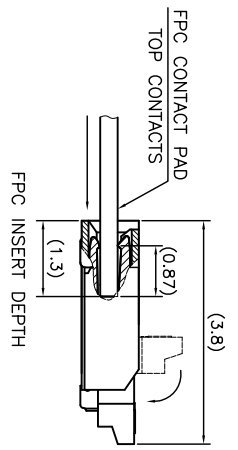
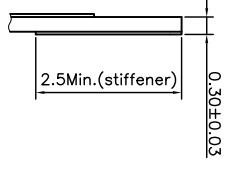
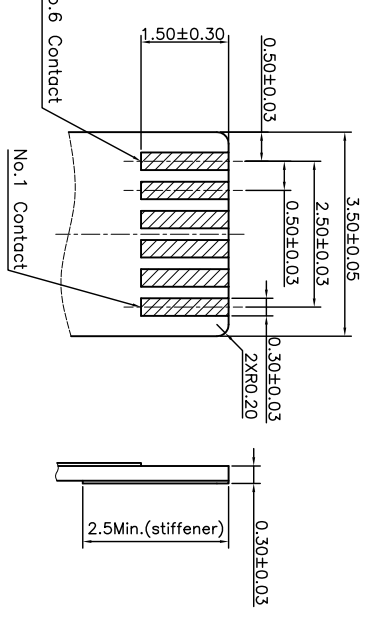
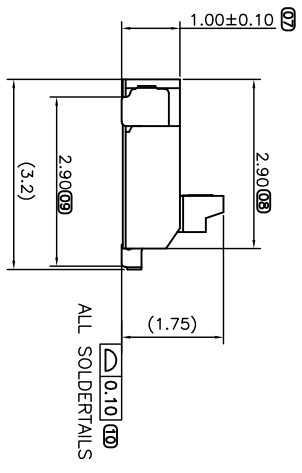
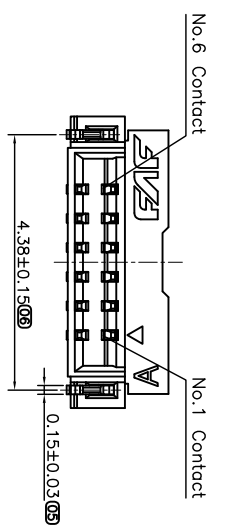
△ MATERIALS:

- 1.1 HOUSING: THERMOPLASTIC, COLOR: BLACK;
- 1.2 ACTUATOR: THERMOPLASTIC, COLOR: BLACK;
- 1.3 TERMINAL: COPPER ALLOY;
- 1.4 TAB: COPPER ALLOY;

- 2. FINISH:
 - 2.1 TERMINAL: GOLD PLATING ON CONTACT AREA AND SOLDERTAILS; NICKEL UNDERPLATING OVER ALL;
 - 2.2 TAB: MATTE TIN PLATING ALL OVER AND NICKEL UNDERPLATING;

- 3. PERFORMANCE:
 - 3.1 CONTACT RESISTANCE: 100mOHM Max.
 - 3.2 DIELECTRIC WITHSTANDING VOLTAGE: 250V AC FOR 1MINUTE;
 - 3.3 INSULATION RESISTANCE: 500MOHM Min.
 - 3.4 DURABILITY: 20 CYCLES.

- 4. THE PRODUCT IS COMPLIANCE WITH FAF ENVIRONMENT PROCEDURE REQUIREMENT.



RECOMMENDED FPC DIMENSION

ITEM	DESCRIPTION	Q'TY	MATERIAL	REMARK
4	TAB	2	COPPER ALLOY	NICKEL UNDERPLATED Matte Sn PLATING OVERALL
3	TERMINAL	6	COPPER ALLOY	NICKEL PLATING OVERALL Au PLATING AT CONTACT AREA
2	ACTUATOR	1	THERMOPLASTIC	COLORE: BLACK;
1	HOUSING	1	THERMOPLASTIC	COLORE: BLACK;

EXTEND USE	UNIT	TITLE	DWG NO
FPC SERIES	mm	4.007AO CONN. Customer Drawing	C-4.007AO
0.5P 1.0H BACK-FLIP FPC		Ford Liu	

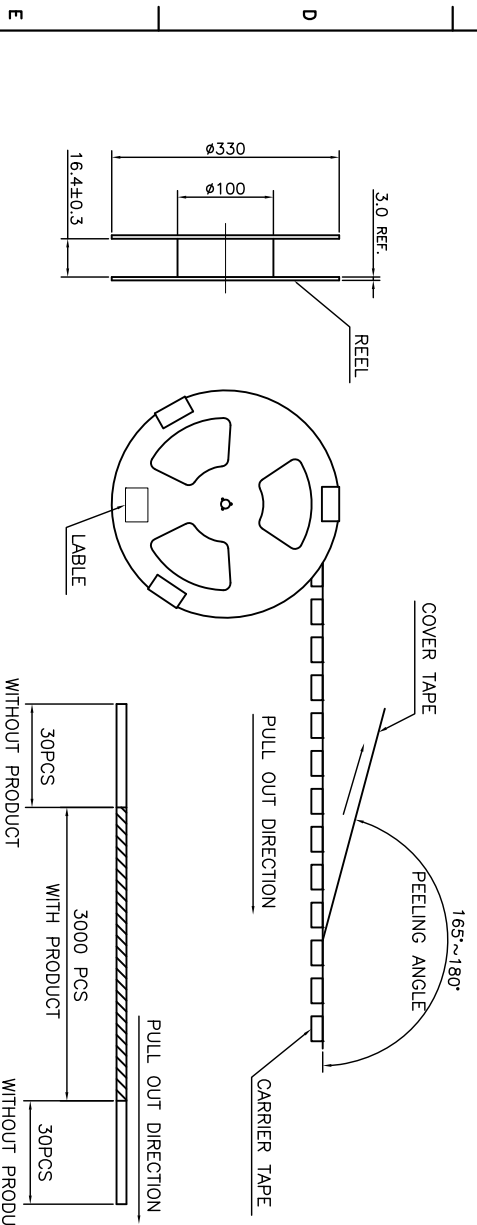
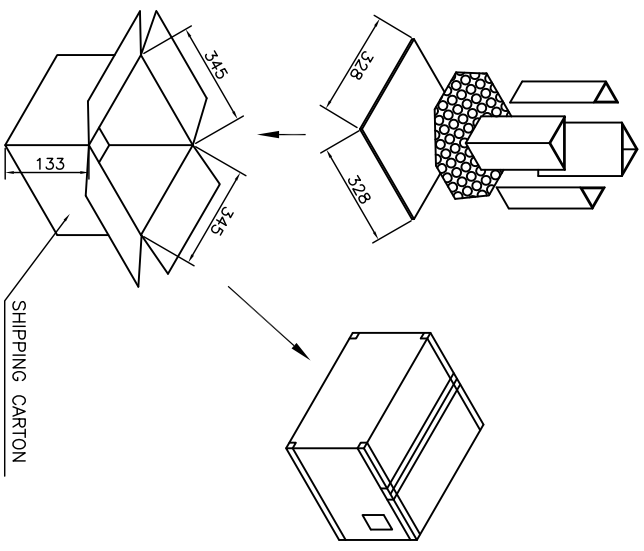
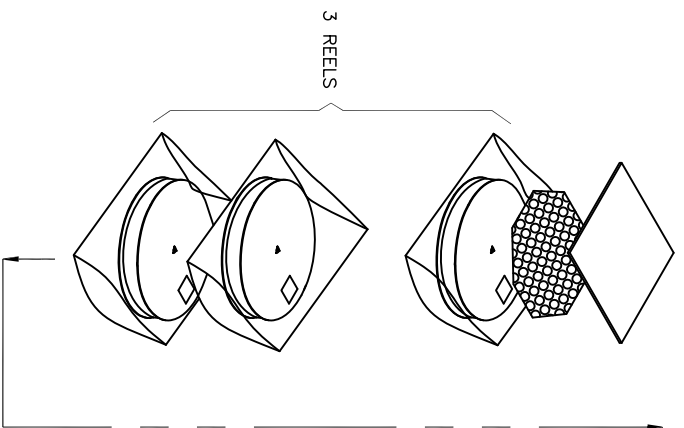
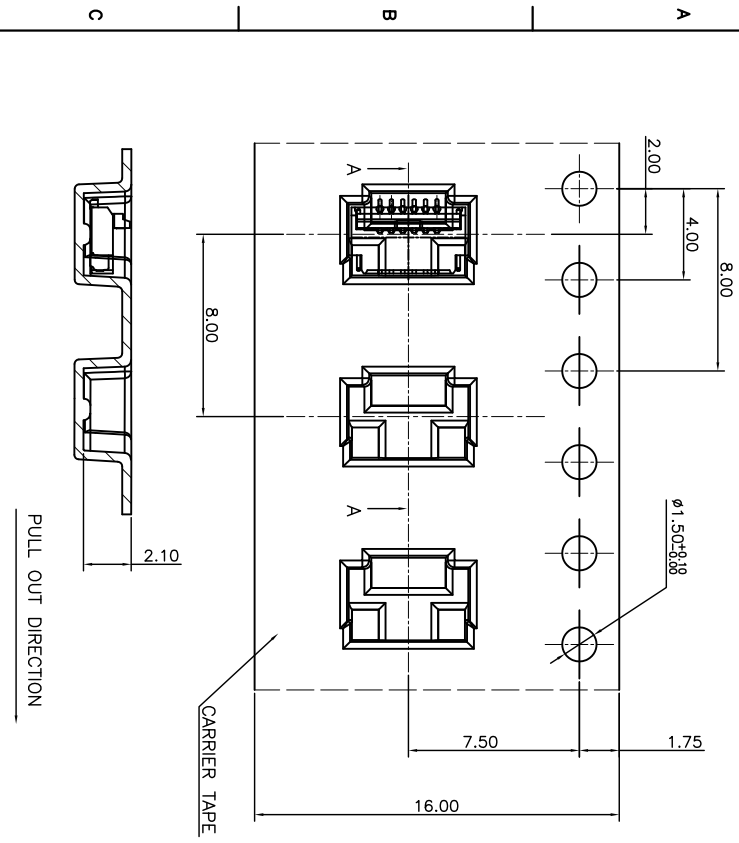
GENERAL TOLERANCE	ANGLES	QTY	FINISHED	DRN
±0.30	±3°			
±0.25	±2°			
±0.20	±1°			
±0.10				

P/N:	SHEET	SCALE	REV
4.007AO-006-1R0	1/2	1:1	X2



1 2 3 4 5 6 7 8

SEE SHEET 1/2



Pin No.	P/N	Q'TY/REEL	Q'TY/CARTON
6	4.007A0-006-1R0	3,000 PCS	9,000 PCS

EXTEND USE		TITLE		FAF	
FPC SERIES 0.5P 1.0H BACK-FLIP FPC		4.007A0 CONN. Customer Drawing		DWG NO C-4.007A0	
GENERAL TOLERANCE Ⓢ		MATERIAL		P/N:	
DIMENSION ANGLES		APPD		4.007A0-006-1R0	
.0 ±0.30		CHD		SHEET SCALE	
.00 ±0.25		FRN		2/2 1:1	
.000 ±0.10		FRN		REV X2	
		FRN			