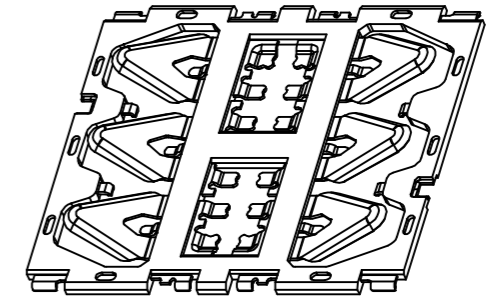
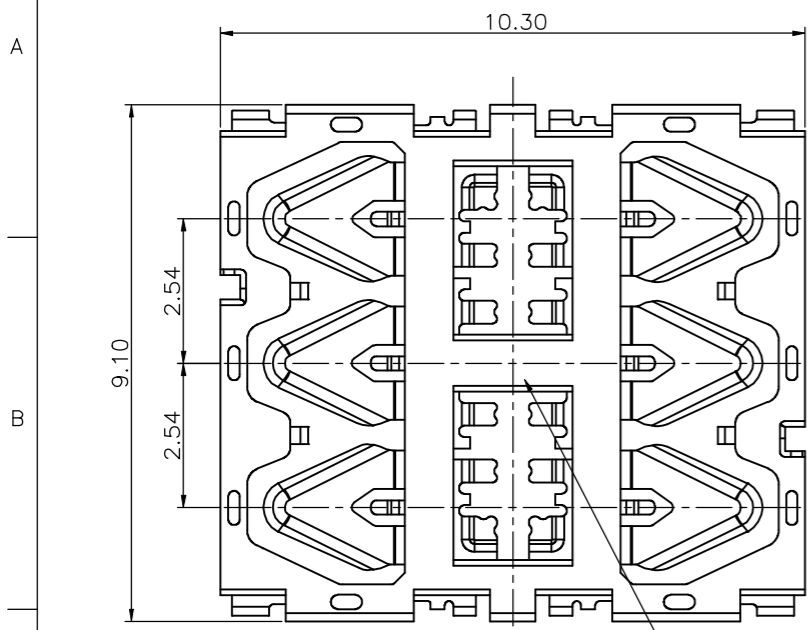
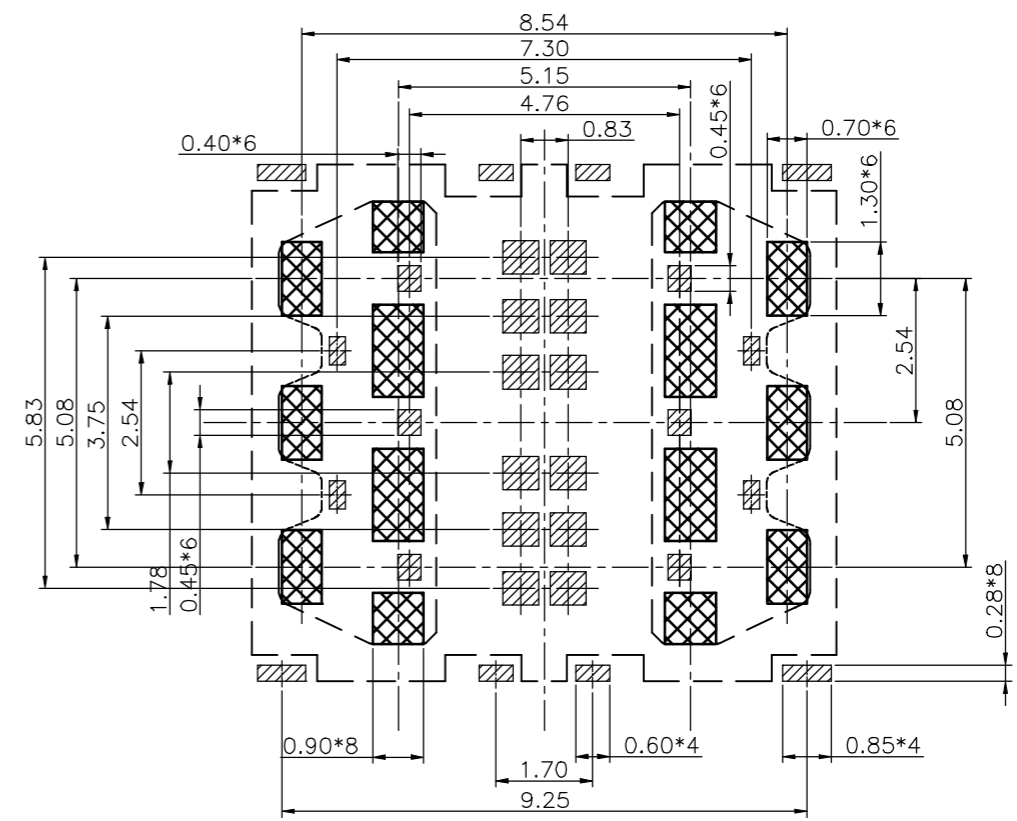
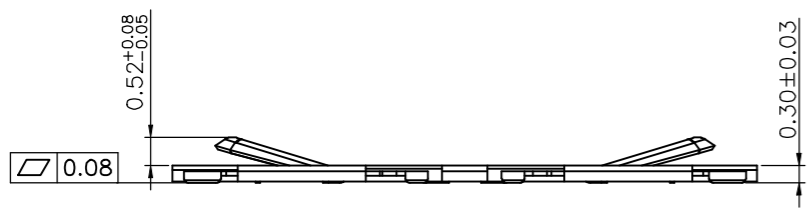


A3

REV	ECN NO	DESCRIPTION	DATE	APPD
X1		INITIAL RELEASE	2017.08.30	ANDREW



∅0.7mm
PICK AND PLACE AREA



- SOLDER AREA
- DIGGING HOLES 0.05~0.10MM
- CONNECTOR BOUNDARY

NOTES:

1. ELECTRICAL CHARACTERISTICS:
 - 1-1. CONTACT CURRENT RATING: 0.5A MAX.
 - 1-2. CONTACT RESISTANCE: 100 mOHMS MAX.
 - 1-3. INSULATION RESISTANCE:
 - INITIAL: 1000 MOHMS MIN.
 - AFTER TEST: 100 MOHMS MIN.
2. MECHANICAL CHARACTERISTICS:
 - 2-1. DURABILITY : 3000 CYCLES.
 - 2-2. NORMINAL CONDITION DISPLACEMENT 0.40MM
 - CONTACT NORMAL FORCE 50gf~80gf/Pin.
3. ENVIRONMENT CHARACTERISTICS:
 - 3-1. OPERATING TEMPERATURE: -25°C~85°C
 - 3-2. STORAGE TEMPERATURE: -40°C~85°C
4. RECOMMENDED IR REFLOW PORCESS PEAK TEMPERATURE: 250±5°C, DURATION 10s MAX.
5. ALL SMT CONTACTS AND PADS CO-PLANARITY: 0.08mm MAX
6. FINISH:
 - CONTACT: NICKEL PLATING OVERALL, Au 2~8u" PLATING
 - AT SOLDER AREA, Au 15u" MIN AT CONTACT AREA.

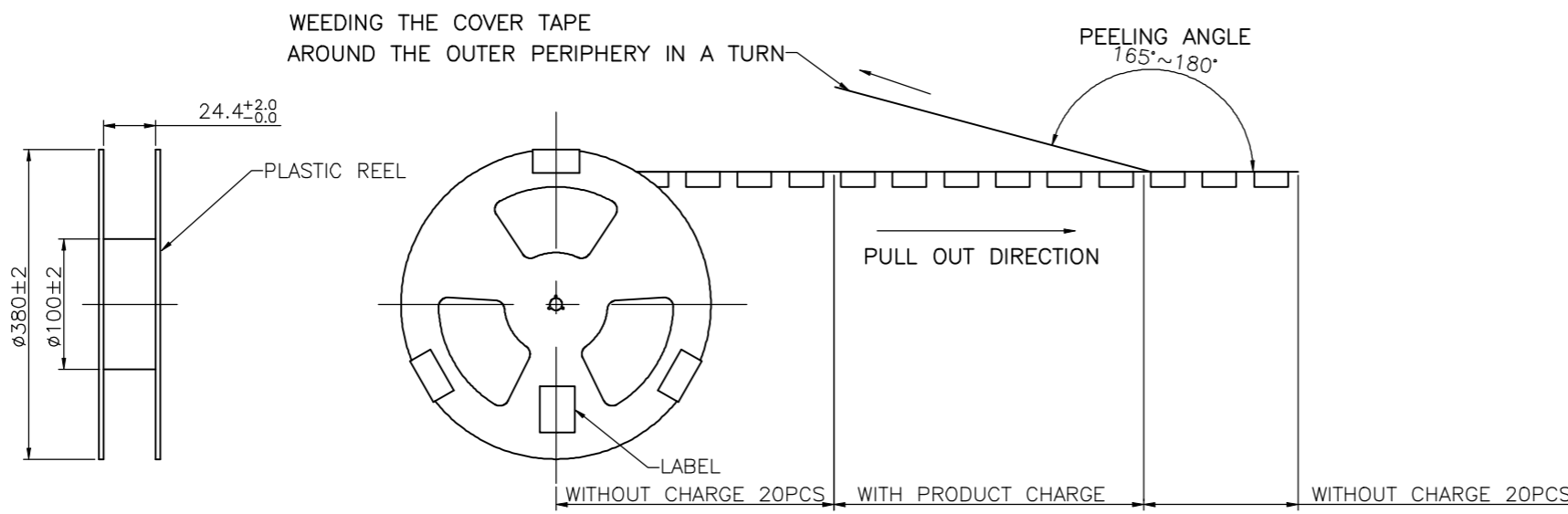
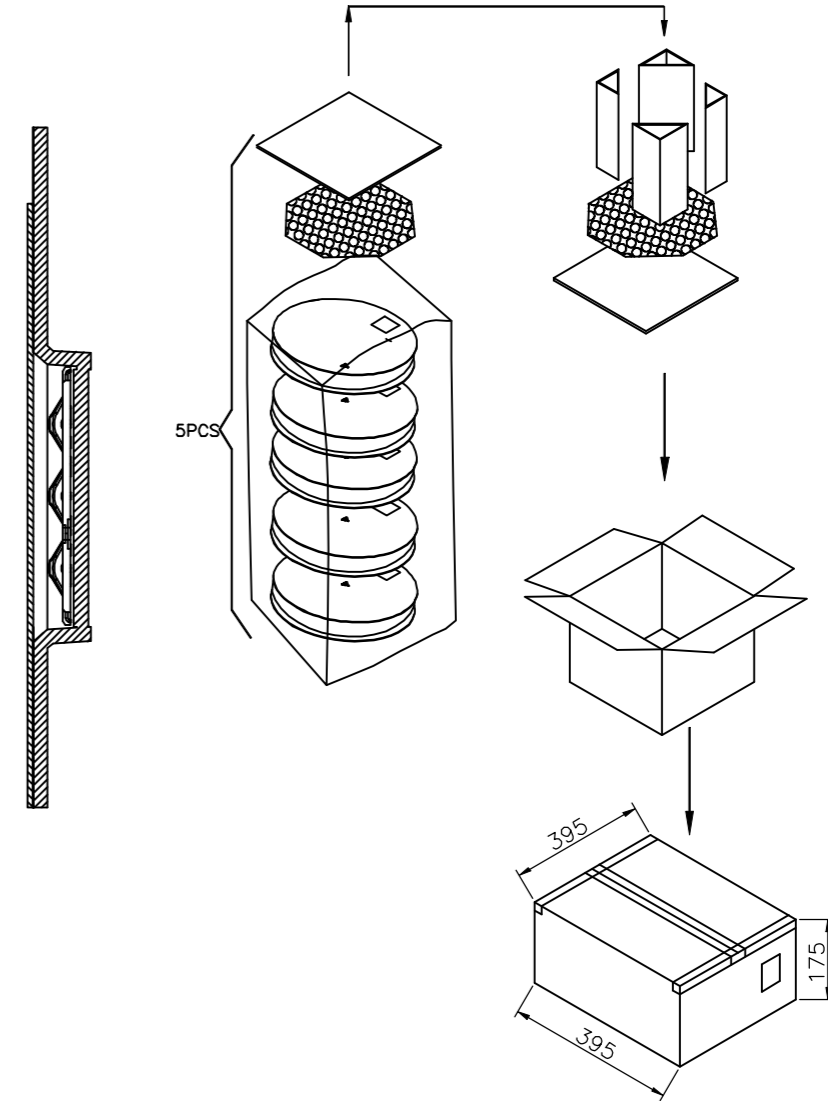
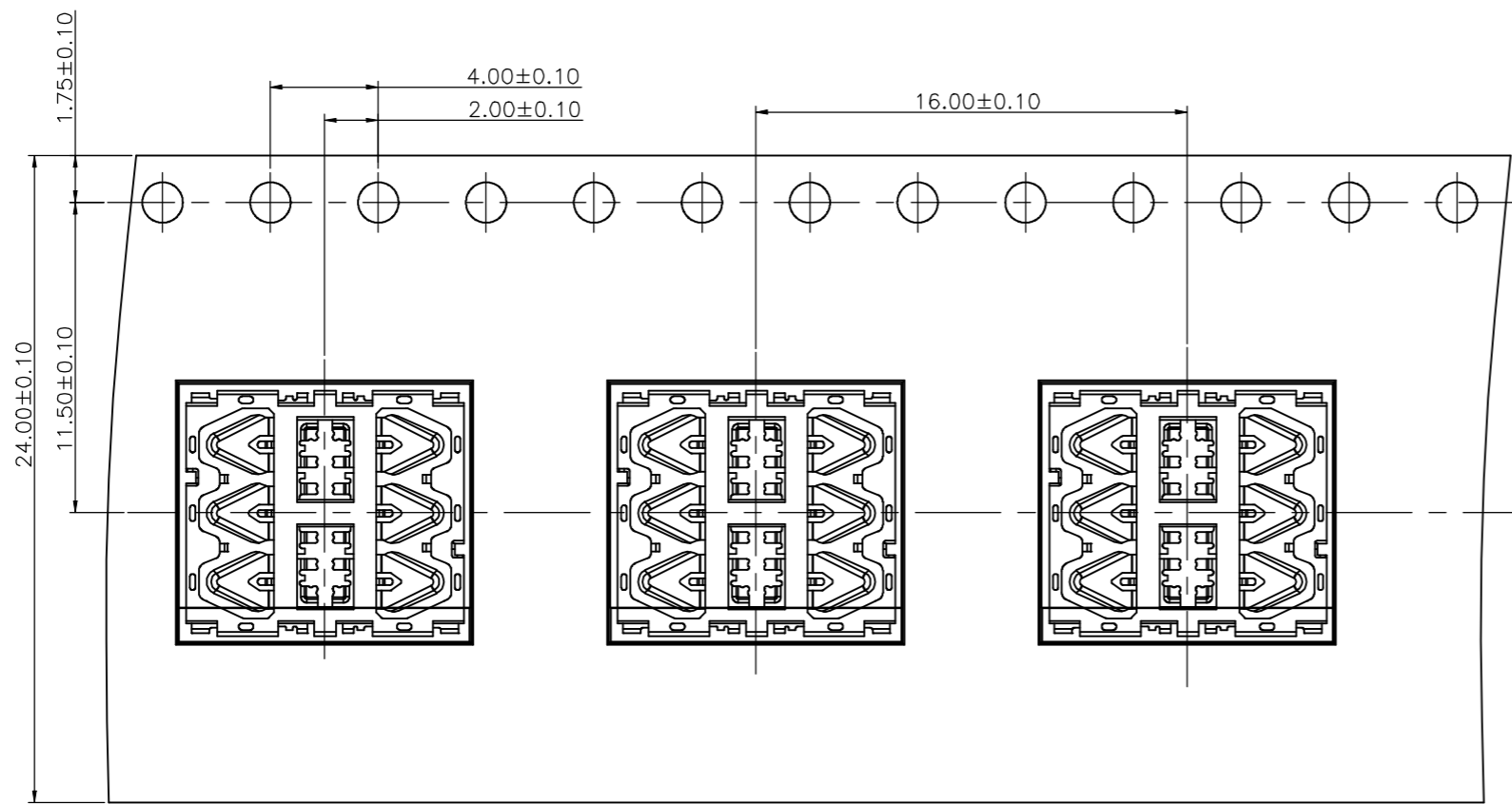
RECOMMENDED PCB LAYOUT
TOLERANCES ±0.05

ITEM	DESCRIPTION	MATERIAL	FINISH	Q'TY
2	CONTACT	COPPER ALLOY NKT322-ESH Ycut-FX-EH	NICKEL UNDER PLATED OVERALL, GOLD 15u" ON CONTACT AREA GOLD 2~8u" ON SOLDER AREA	6
1	HOUSING	THERMOPLASTIC LCP S475 BK UL94-V0	N/A	1

EXTEND USE		TITLE		DWG NO	
NANOSIM CARD BLOCK 0.3H		1.072A0 CONN. Customer Drawing		C-1.072A0	
UNIT mm		APPD ANDREW 2017.08.30		P/N: 1.072A0-006-5R0	
GENERAL TOLERANCE		MATERIAL		SHEET 1/2	
DIMENSION		QTY		SCALE 1:1	
FINISHED		DRN Ted 2017.08.30		REV X1	

A3

REV	ECN NO	DESCRIPTION	DATE	APPD
X1		INITIAL RELEASE	2017.08.30	ANDREW



- Notes:
- MATERIAL:
CARRIER TAPE: PS.
COVER TAPE: PE,PET,PEF
 - Q'TY: 3000PCS/REEL, 15000PCS/CARTON
 - PEELING FORCE: 20gf~130gf.

EXTEND USE		TITLE		FAF	
NANOSIM CARD BLOCK 0.3H		1.072A0 CONN. Customer Drawing		DWG NO	
GENERAL TOLERANCE Ⓢ		APPD		C-1.072A0	
DIMENSION		MATERIAL		P/N:	
. ±0.30		APPD		1.072A0-006-5R0	
.0 ±0.25		QTY		SHEET	
.00 ±0.20		FINISHED		SCALE	
.000 ±0.10		DRN		REV	
		Ted		X1	
		2017.08.30		2/2	
				1:1	