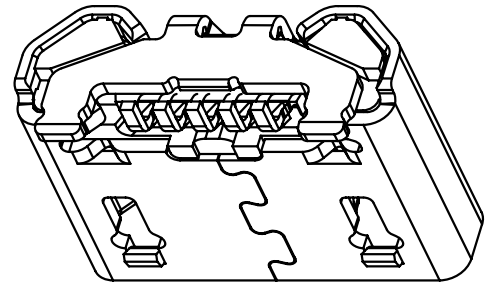
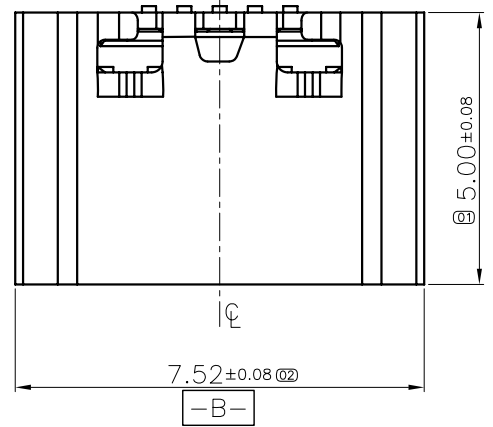


A4

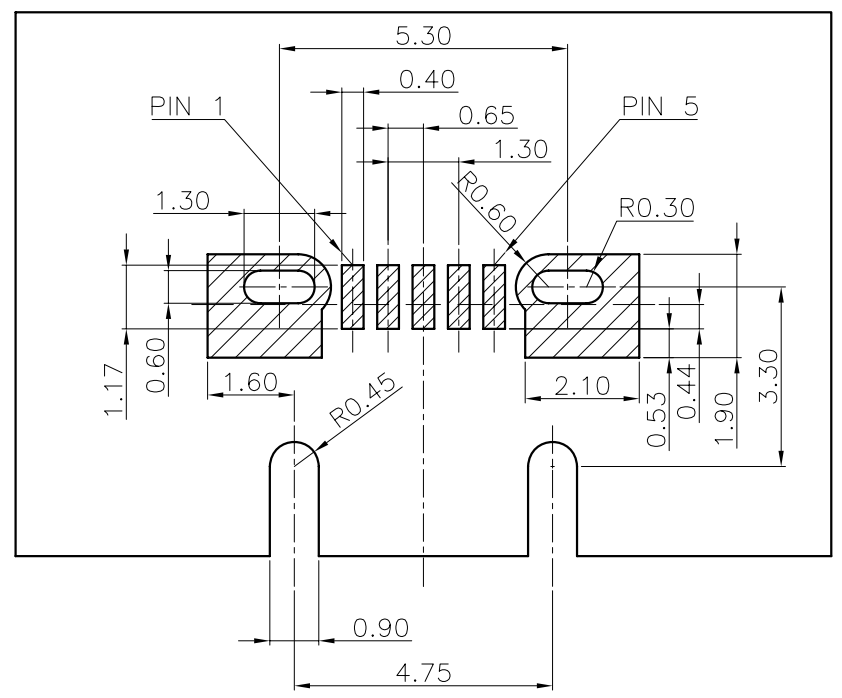
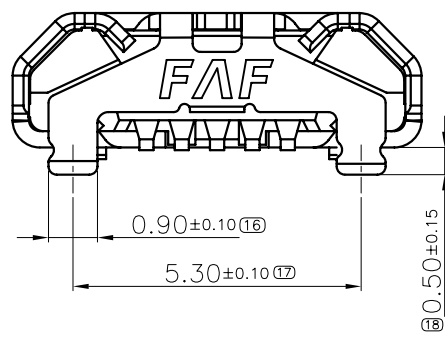
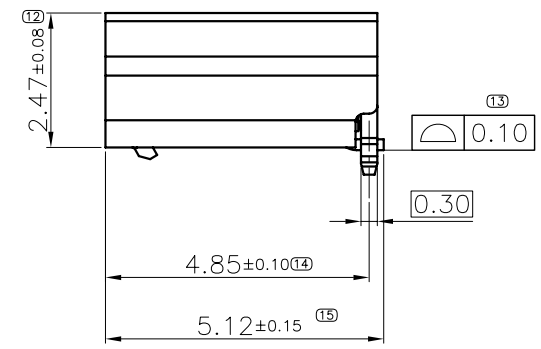
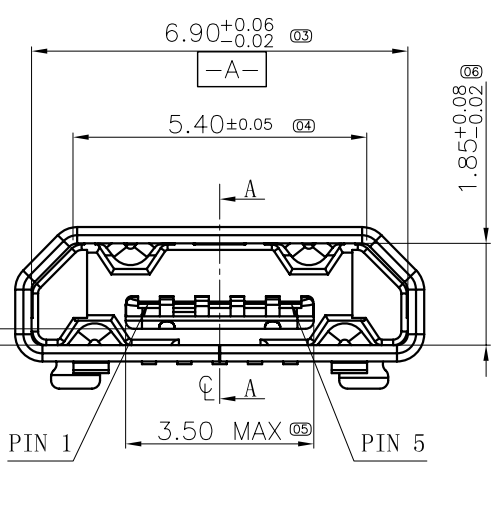
REV	ECN NO	DESCRIPTION	DATE	APPD
X1		初版发行	2015.04.17	周冬方

A
B
C
D
E

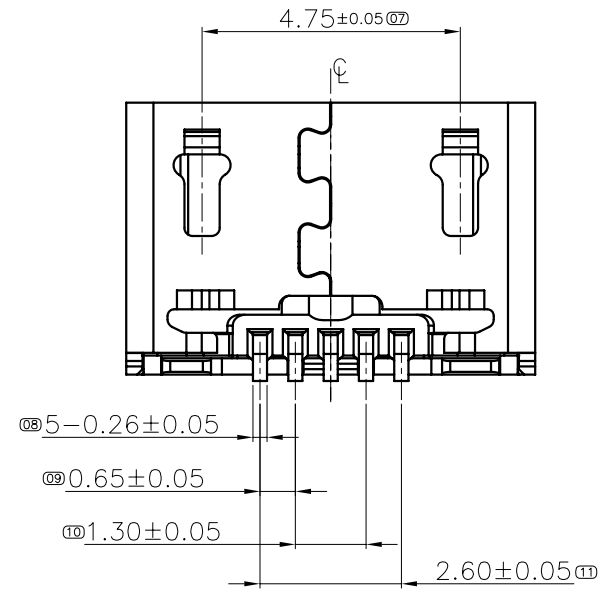
A
B
C
D
E



3D VIEW



RECOMMENDED PCB LAYOUT
TOP VIEW (TOLRANCE:±0.05)



NOTE:
 1. MATERIAL:
 HOUSING: HIGH TEMP. THERMOPLASTIC,PA10T R630
 BLACK COLOR, UL 94V-0;
 TERMINAL: COPPER ALLOY,C2680-H T=0.20mm;
 SHELL: STAINLESS STEEL,SUS 304 T=0.30mm;
 PLATE: STAINLESS STEEL,SUS 304 T=0.10mm;
 2. PLATING:
 TERMINAL: NICKEL 50~120u" UNDER PLATED OVER ALL;
 GOLD 15u" Min PLATED AT CONTACT AREA;
 GOLD 2u" Min PLATED AT SOLDER TAIL AREA;
 SHELL: NICKEL 50~120u" UNDER PLATED OVER ALL;
 MATTE TIN 80~150u" ON THE ALL.
 PLATE: NICKEL 50~100u" UNDER PLATED OVER ALL;
 3. TAIL&NAIL COPLANARITY 0.08mm MAXIMUM.
 4. PERFORMANCE:
 CONTACT RESISTANCE: 40mΩ. Max.
 DWV: 100V AC FOR 1MINUTE;
 INSULATION RESISTANCE: 500MΩ. Min.
 MATING FORCE: 20N Max.
 UN-MATING FORCE: 8-20N.
 DURABILITY: 10000 CYCLE Min.

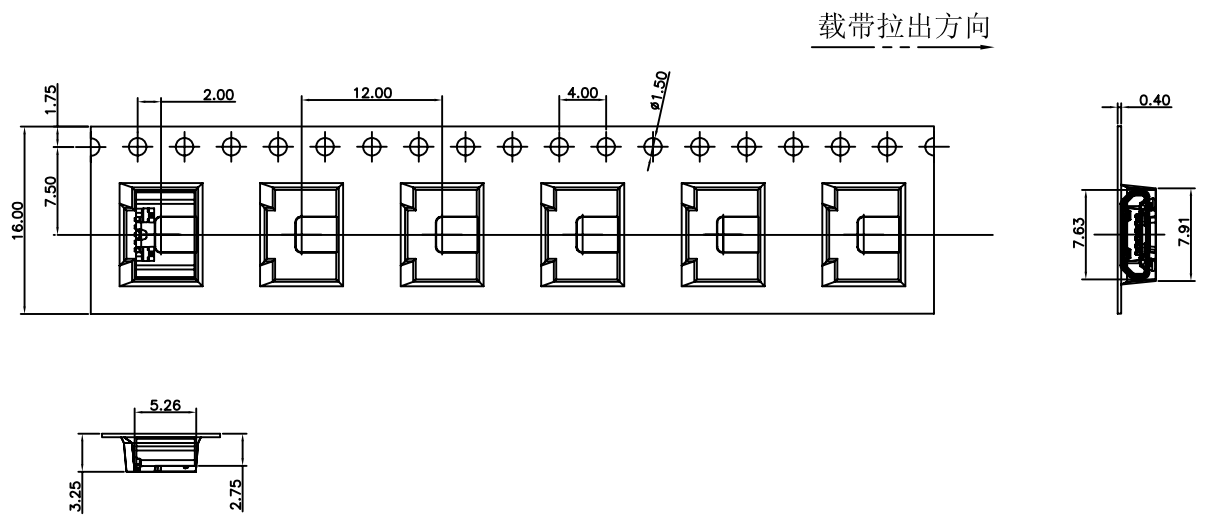
料号明细

3.097A0-005-5R0	FAF	接触区镀金15u" Min 焊脚区镀金2u" Min
料号	MARK	接触区镀金说明

EXTEND USE		TITLE		DWG NO	
MICRO USB 5P		MICRO USB 5P CUST'DWG		C-3.097A0	
GENERAL TOLERANCE (C)		MATERIAL		P/N:	
DIMENTION		QTY		3.097A0-005-5R0	
ANGLES		FINISHED		SHEET	
±0.30	±3°	DRN 黄文珠 2015.04.17		SCALE	REV
.0 ±0.25	.0 ±2°			1/1	X1
.00 ±0.20	.00 ±1°				
.000 ±0.10					

A4

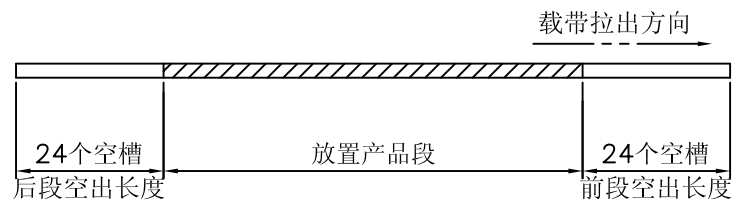
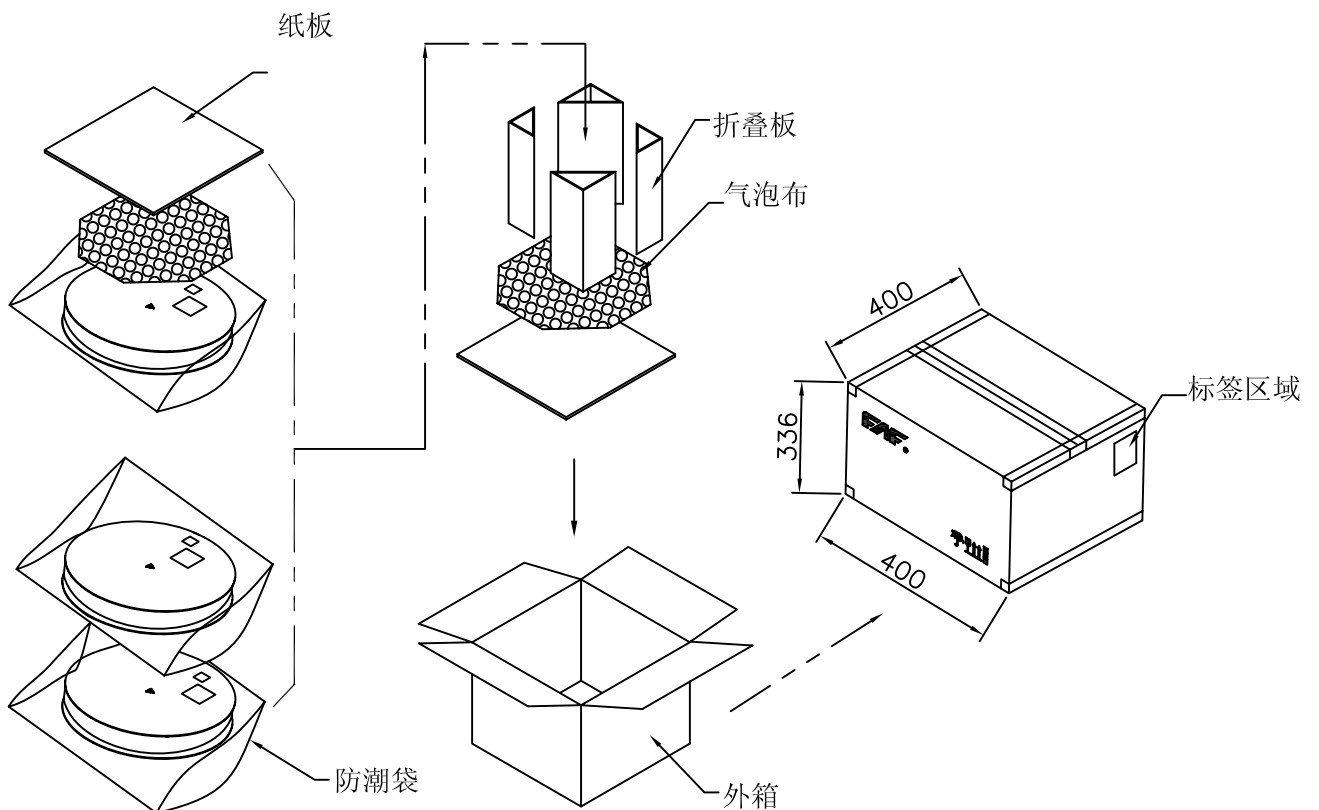
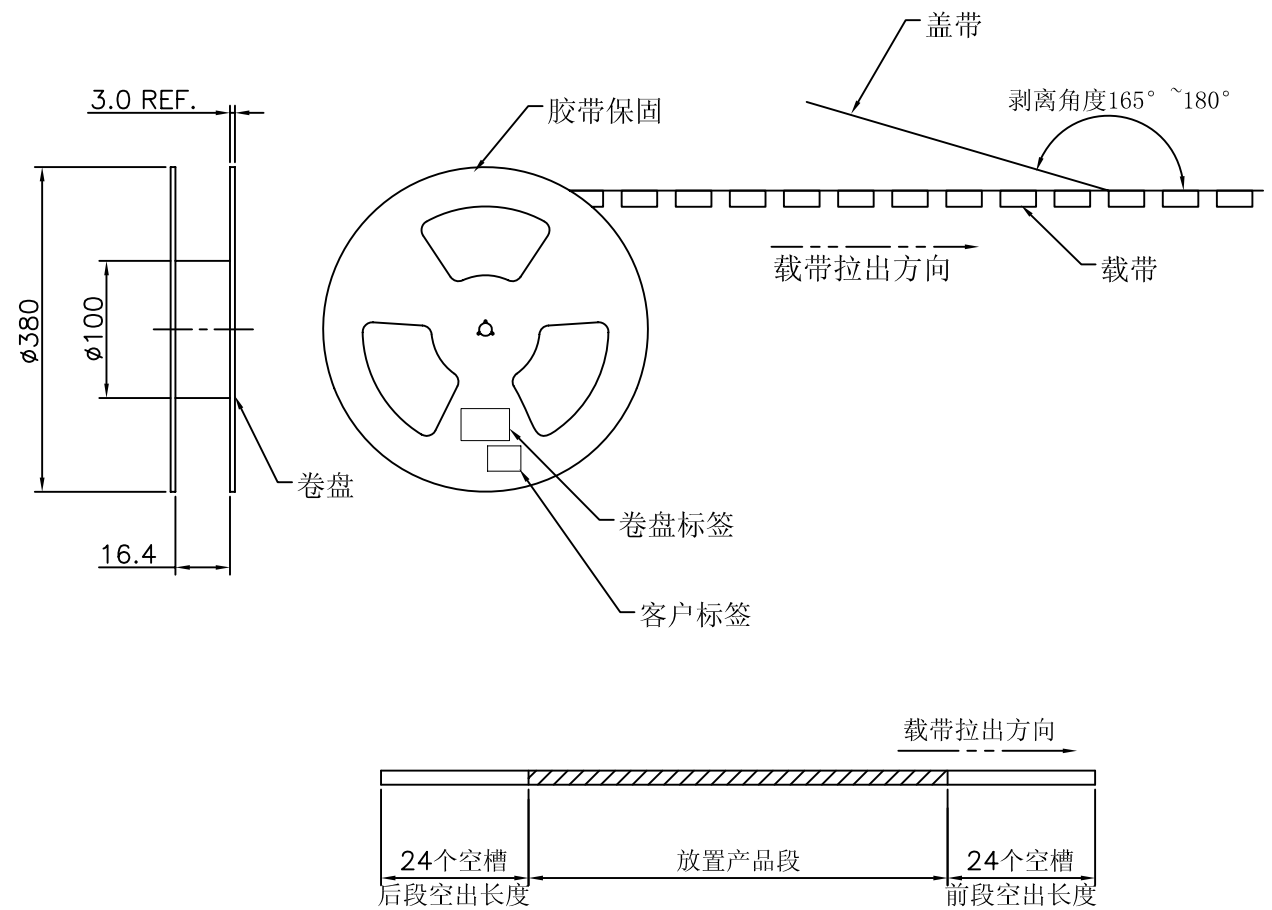
REV	ECN NO	DESCRIPTION	DATE	APPD
X1		初版发行	2015.04.22	周冬方



说明:

- 数量:
 - 卷盘包装: 2200PCS/REEL;
 - 外箱包装: 12 REELS/CARTON (26400PCS);
- 盖带与载带剥离力: 20~75gf;
- 剥离角度: 165° ~ 180° ;
- 剥离速度: 300mm/min.
- 来料、生产及包装运输过程必须满足 FAF JH-GP-213 《环境管理物质限用作业程序》 要求.
- 料号明细

3.097A0-005-5R0	接触区镀金15u" Min; 焊脚区镀金2u" Min
PART NUMBER	CONTACT PLATING



EXTEND USE		UNIT mm	TITLE			
Micro USB 5Pin						
GENERAL TOLERANCE		MATERIAL	APPD	DWG NO		
DIMENTION		ANGLES	QTY	C-3.097A0-P		
.0 ±0.10	.0 ±1°	.0 ±1°	FINISHED	P/N:		
.00 ±0.10	.00 ±0.5°		DRN 黄文珠 2015.04.22	3.097A0-005-5R0		
.000 ±0.10				SHEET	SCALE	REV
				1/1	N/A	X1