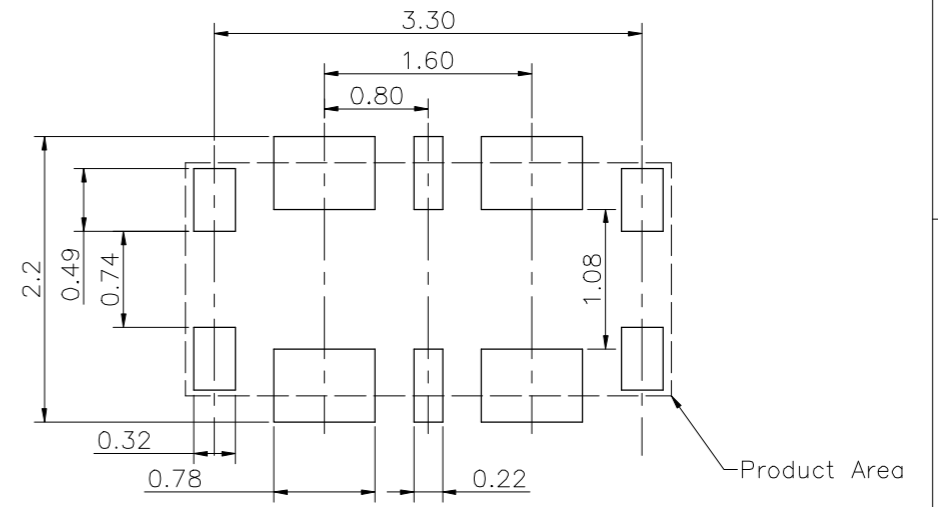
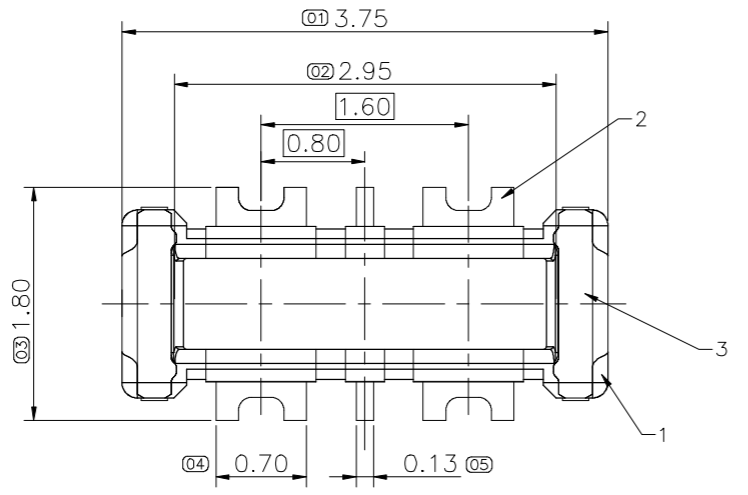
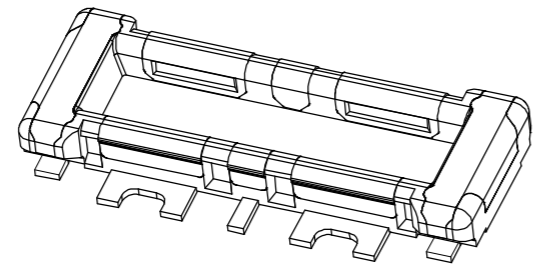
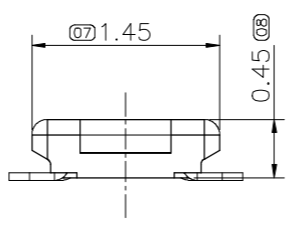
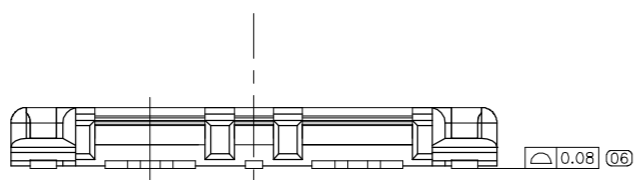


A3

| REV | ECN NO | DESCRIPTION | DATE | APPD |
|-----|--------|-----------------|------------|------------|
| X1 | | Initial Edition | 2015.03.10 | Bill Zheng |
| | | | | |



PCB LAYOUT TOLERANCE=±0.03mm



NOTES:

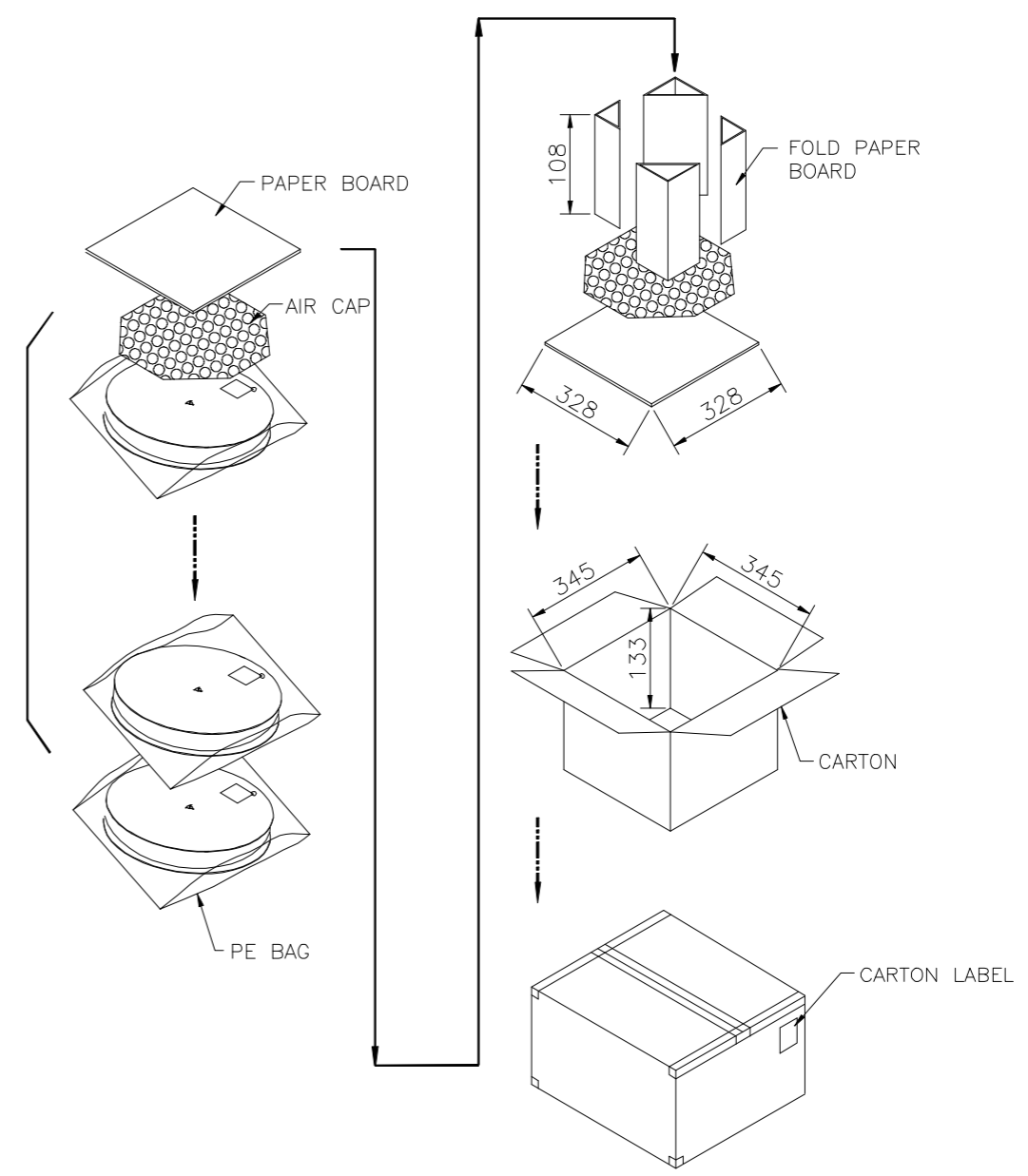
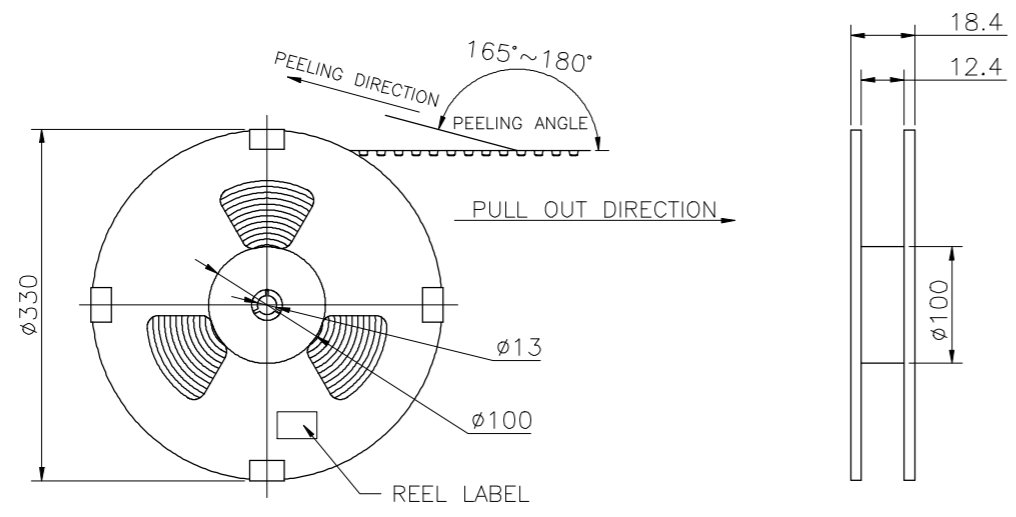
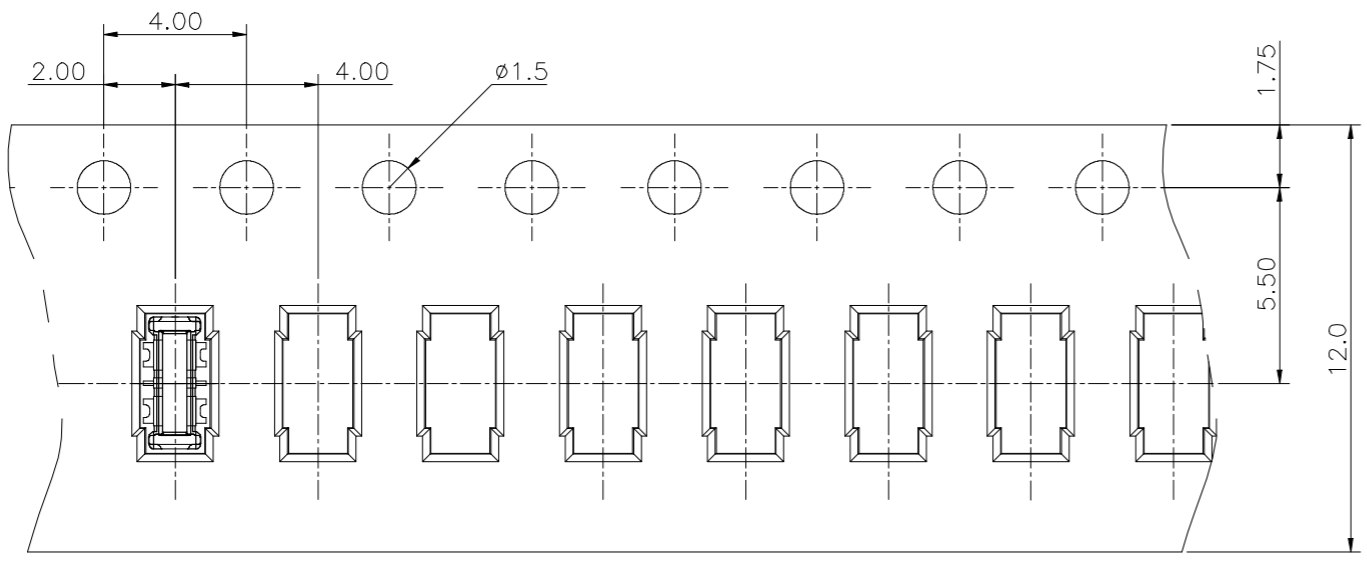
- MATERIAL:
1-1.HOUSING: THERMOPLASTIC, COLOUR: BLACK.
1-2.CONTACT: COPPER ALLOY.
1-3.HOLD DOWN: COPPER ALLOY.
- FINISH:
2-1. CONTACT: NICKEL PLATING OVERALL, Au 1u" MIN PLATING AT SOLDER AREA, Au 5u" MIN AT CONTACT AREA.
2-2. HOLD DOWN: NICKEL PLATING OVERALL, Au 1u" MIN PLATING AT SOLDER AREA.
- COPLANARITY: 0.08MAX.
- THE PRODUCT IS COMPLIANT WITH FAF ENVIRONMENT PROCEDURE REQUIREMENT.

| ITEM | DESCRIPTION | Q'TY | MATERIAL | FINISH |
|------|-------------|------|---------------|------------------------------------------------------|
| 3 | HOLD DOWN | 2 | COPPER ALLOY | NICKEL PLATING OVERALL Au PLATING AT SOLDER AREA |
| 2 | CONTACT | 6 | COPPER ALLOY | NICKEL PLATING OVERALL Au PLATING AT CONTACT AREA |
| 1 | HOUSING | 1 | THERMOPLASTIC | MOLDED BLACK, UL94 V-0 |

| | | | |
|-------------------|---------------------------|------------------------------------------------|----------------------------|
| EXTEND USE FTB | 0.8 Pitch FTB 0.6H M-CONN | TITLE 5.045A0 CONNECTOR Customer Drawing | FAF DWG NO C-5.045A0 |
| GENERAL TOLERANCE | UNIT mm | MATERIAL | APPD Bill Zheng 2015.08.10 |
| DIMENSION | ANGLES | QTY | CHD Bill Zheng 2015.08.10 |
| . ±0.30 | . ±3' | FINISHED | DRN Ted Chen 2015.08.10 |
| .0 ±0.25 | .0 ±2' | | |
| .00 ±0.20 | .00 ±1' | | |
| .000 ±0.10 | | | |
| | | SHEET 1/2 | SCALE 1:1 |
| | | REV X1 | |

A3

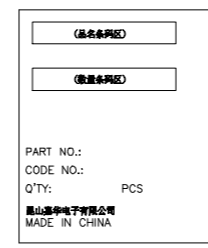
| | | | | |
|-----|--------|---------------|------|------|
| REV | ECN NO | DESCRIPTION | DATE | APPD |
| | | SEE SHEET 1/2 | | |



- NOTES:
1. THE DIRECTION OF EACH CONNECTOR ON A EMBOSS IS REFERRED TO THIS DRAWING.
 2. GENERAL TOLERANCE: ± 0.5 , $\pm 3^\circ$.
 3. PEELING RESISTANCE: 0.1N(10.2gf)~0.7N(71.4gf);
PEELING ANGLE: $165^\circ \sim 180^\circ$;
PEELING SPEED: 300mm/MIN
 4. PACKING QUANTITY: 5000PCS/REEL,25000PCS/CARTON.



REEL LABEL



CARTON LABEL

INFORMATIONS OF THE PACKING

| TITLE | P/N | Q'TY/REEL | Q'TY/CARTON |
|-------------------|-----------------|-----------|-------------|
| 5.045A0 CONNECTOR | 5.045A*-***-3R0 | 5000PCS | 25000PCS |

| | | | | | |
|----------------------------------------------------------------------------------|--------------------------------------------------------------------|------------------------------------------------|-------------------------|--------------|-----------|
| EXTEND USE FTB 0.8 Pitch FTB 0.6H M-CONN | UNIT mm | TITLE 5.045A0 CONNECTOR Customer Drawing | | | |
| GENERAL TOLERANCE (M) | MATERIAL | APPD Bill Zheng 2015.03.10 | DWG NO C-5.045A0 | | |
| DIMENSION .0 ± 0.30 .0 ± 0.25 .00 ± 0.20 .000 ± 0.10 | ANGLES . $\pm 3^\circ$.0 $\pm 2^\circ$.00 $\pm 1^\circ$ | QTY | P/N: 5.045A*-006-3R0 | | |
| | FINISHED | DRN Ted Chen 2015.03.10 | SHEET 2/2 | SCALE 1:1 | REV X1 |