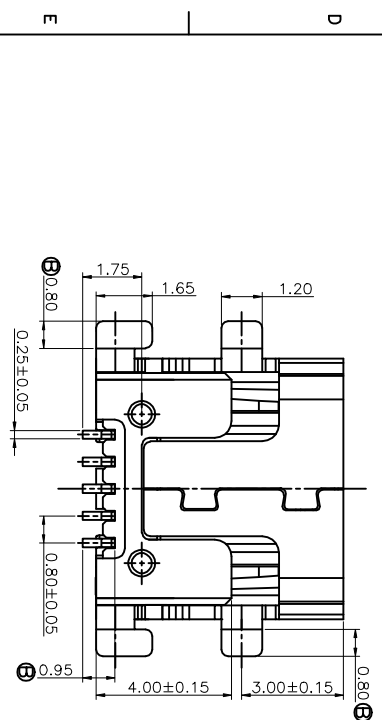
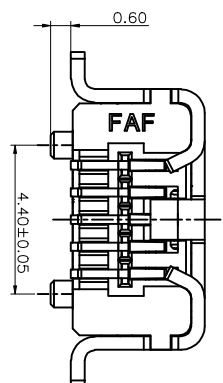
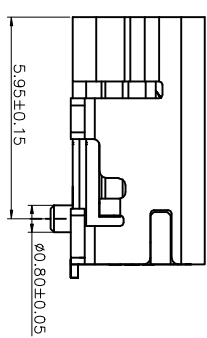
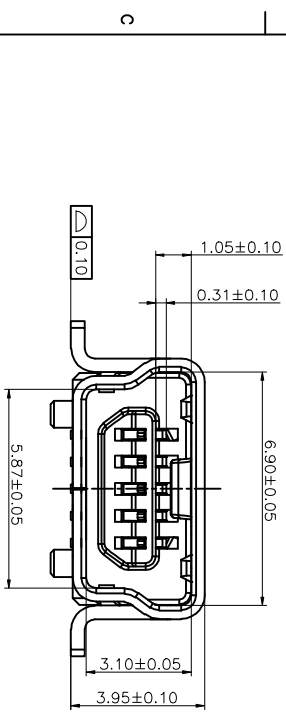
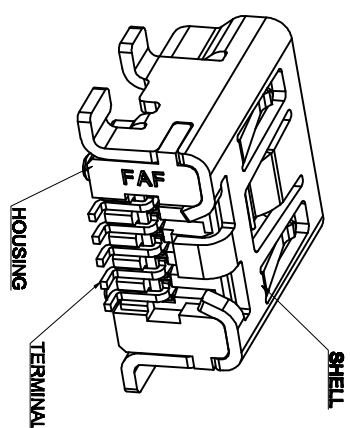
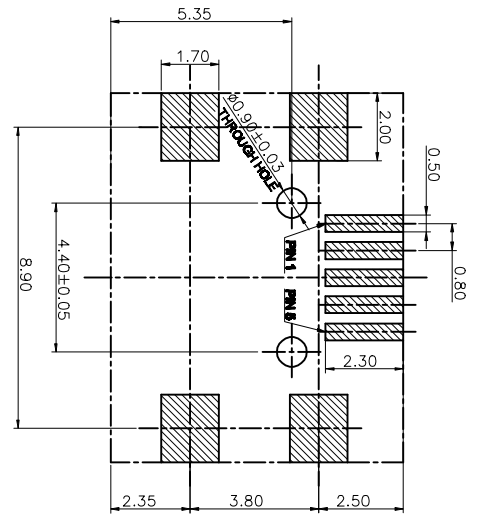
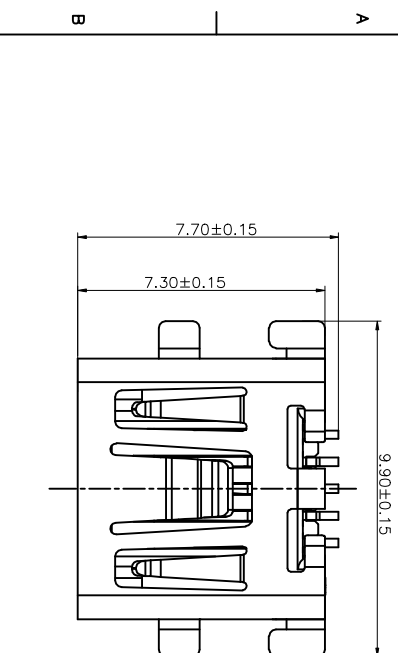


REV	ECN NO	DESCRIPTION	DATE	APPD
A	NEW	NEW	2011.10.20	LV HAI TAO
B	PECH1203046	增加五個尺寸(0.80/0.80/0.95)	2012.03.28	TAN LIN HONG



**RECOMMENDED PCB LAYOUT
TOLERANCE: ±0.05**

- NOTES:**
- MATERIAL:** HIGH TEMPERATURE THERMAL PLASTIC, BLACK UL 94V0;
SHELL: COPPER ALLOY;
TERMINAL: COPPER ALLOY;
 - FINISH:** *GOLD PLATED ON CONTACT AREA AND TIN PLATED ON SOLDER TAIL;
SHELL: TIN PLATED;
 - MECHANICAL SPECIFICATION:** REPEATED BEND TESTS MATING AND UNMATING CYCLES AND STILL MEET ELECTRICAL CHARACTERISTICS;
 - ELECTRICAL SPECIFICATION:**
 - 4-1) RATED CURRENT (PER CONTACT): 1.0 AMPERE MAX. AND TEMPERATURE RISE SHOULD BE LESS THAN 30 DEGREE;
 - 4-2) INSULATION RESISTANCE: ≥100 MEGOHMS MIN.;
 - 4-3) DIELECTRIC WITHSTANDING VOLTAGE: 100 VAC ;
 - 4-4) CONTACT RESISTANCE: ≤9 MILLIOHMS MAX.

2. PART NUMBER

3. ORGALL-005-200	AJ 0P	ON CONTACT AREA
3. ORGALL-005-100	AJ 5P	ON CONTACT AREA
3. ORGALL-005-200	AJ 10P	ON CONTACT AREA
3. ORGALL-005-200	AJ 30P	ON CONTACT AREA
3. ORGALL-005-100	AJ 10P	ON CONTACT AREA

EXTEND USE		TITLE		DWG NO	
MINI USB SPIN B TYPE	UNIT	MINI USB SPIN B TYPE	ASSC. DRAWING (SMT)	C-3.036A1	
GENERAL TOLERANCE	mm	APPD			
DIMENSION	±0.30	FINISHED	DRN		
ANGLES	±3°				
	±0.25				
	±0.20				
	±0.10				

