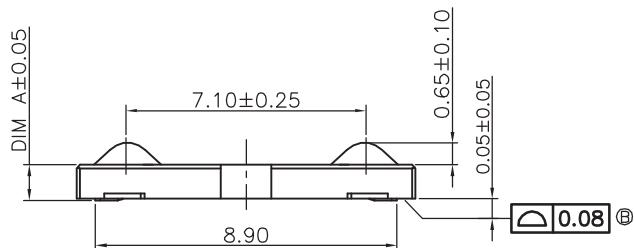
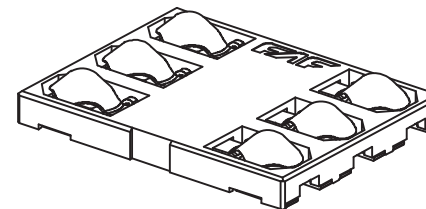
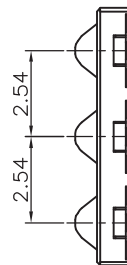
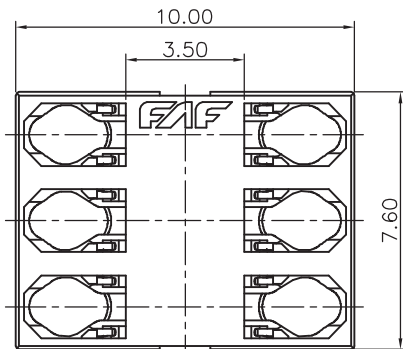


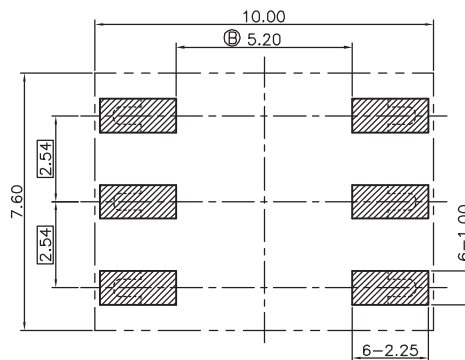
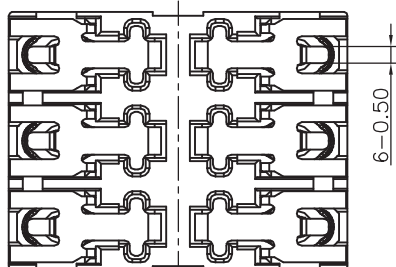
A3

REV	ECN NO	DESCRIPTION	DATE	APPD
A	ECN1210014	NEW RELEASE	2012.10.22	BILL
B		CHANGE DIMENSION	2012.11.10	BILL



NOTES:

- MATERIAL:
  - HOUSING: HIGH TEMP. PLASTIC, UL94-V0
  - CONTACT: COPPER ALLOY
- FINISH:
  - CONTACT: CONTACT AREA: Au PLATED OVER Ni PLATED OVER ALL SOLDER AREA: GOLD FLASH
- ELECTRICAL CHARACTERISTICS:
  - CONTACT CURRENT RATING: 1.0A MAX.
  - CONTACT RESISTANCE: 50 mOHMS MAX.
  - INSULATION RESISTANCE: 1000 MOHMS MIN.
- MECHANICAL CHARACTERISTICS:
  - NORMAL FORCE: 50gf MIN./PIN
  - DURABILITY: 5000 CYCLES
- ENVIRONMENT CHARACTERISTICS:
  - OPERATING TEMPERATURE: -25°C~85°C
  - STORAGE TEMPERATURE: -40°C~85°C
- RECOMMENDED IR REFLOW PROCESS PEAK TEMPERATURE: 260°C MAX, TIME 10s
- ALL SMT CONTACTS AND PADS CO-PLANARITY: 0.10mm MAX

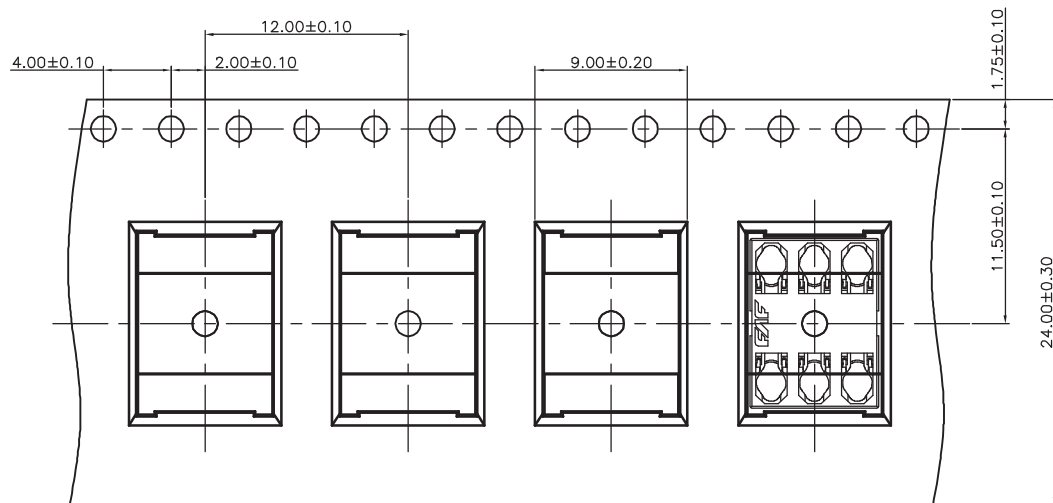


RECOMMENDED PCB LAYOUT  
TOLERANCES ±0.05

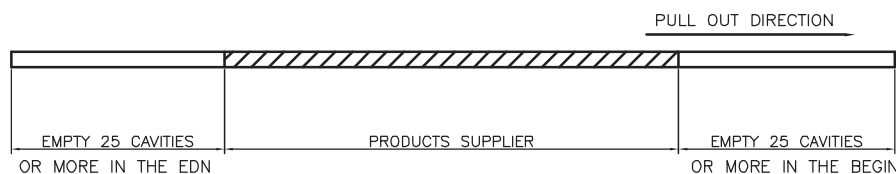
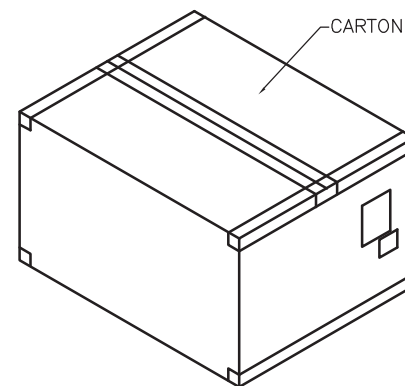
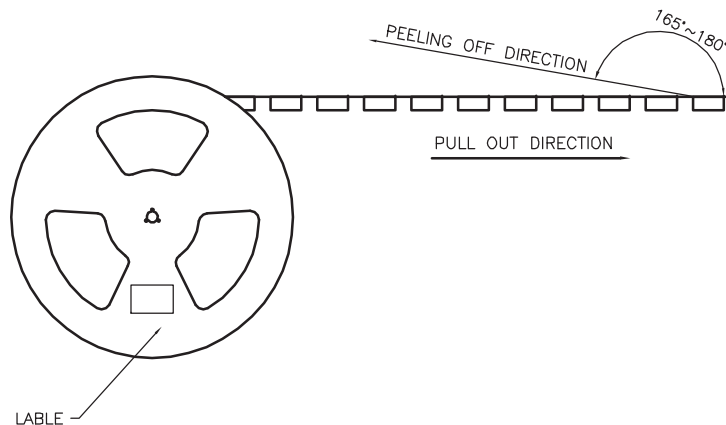
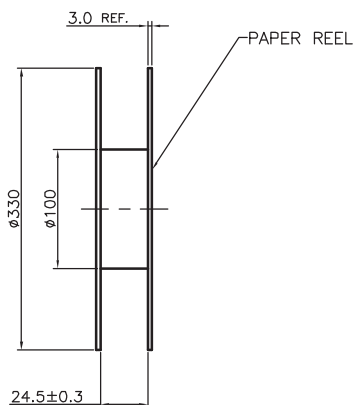
EXTEND USE		TITLE			
SIM CARD CONN.		UNIT mm		LOW PROFILE SIM CARD CUSTOMER DRAWING	
GENERAL TOLERANCE		MATERIAL		APPD	
DIMENSION		ANGLES		BILL ZHENG 2012.11.10	
.0 ±0.30		° ±3'		CHD	
.0 ±0.25		° ±2'		ANDREW ZHANG 2012.11.10	
.00 ±0.20		° ±1'		DRN	
.000 ±0.10		FINISHED		BILLY ZHANG 2012.11.10	
PART NO.		DIM A		SHEET 1/2	
1.029A1-006-5R0		1.20		SCALE 1:1	
1.029A0-006-5R0		1.05		REV B	
1.029A0-006-5R0		1.05		SEE TABLE	
1.029A0-006-5R0		1.05		DWG NO C-1.029A0	
1.029A0-006-5R0		1.05		P/N:	
1.029A0-006-5R0		1.05		SEE TABLE	

A3

REV	ECN NO	DESCRIPTION	DATE	APPD
SEE SHEET 1/2				



- Notes:
- MATERIAL:  
CARRIER TAPE: PS.  
COVER TAPE: PE,PET,PEF
  - Q'TY: 2000PCS/REEL, 6000PCS/CARTON
  - PEELING FORCE: 10gf~130gf.



EXTEND USE		TITLE	
SIM CARD CONN.	UNIT mm	LOW PROFILE SIM CARD CUSTOMER DRAWING	
<b>GENERAL TOLERANCE</b>	<b>MATERIAL</b>	APPD	P/N:
DIMENSION ±0.30 .0 ±0.25 .00 ±0.20 .000 ±0.10	ANGLES ±3° .0 ±2° .00 ±1°	CHD BILL ZHENG 2012.11.10 ANDREW ZHANG 2012.11.10	SEE TABLE
	<b>QTY</b>	DRN BILLY ZHANG 2012.11.10	SHEET 2/2
	<b>FINISHED</b>		SCALE 1:1
			REV B