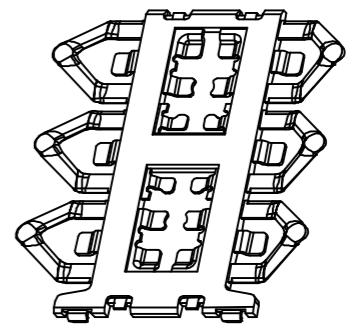
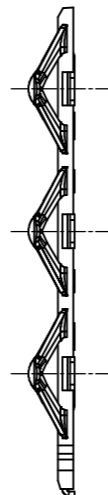
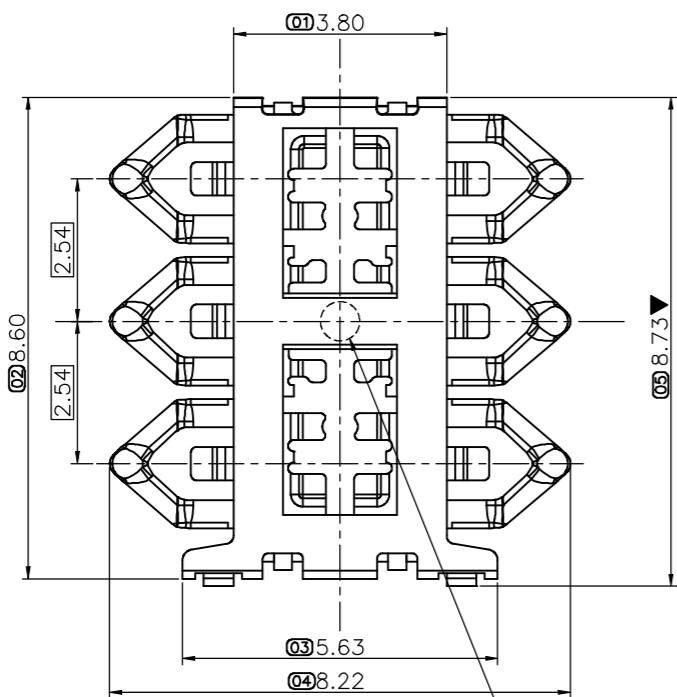
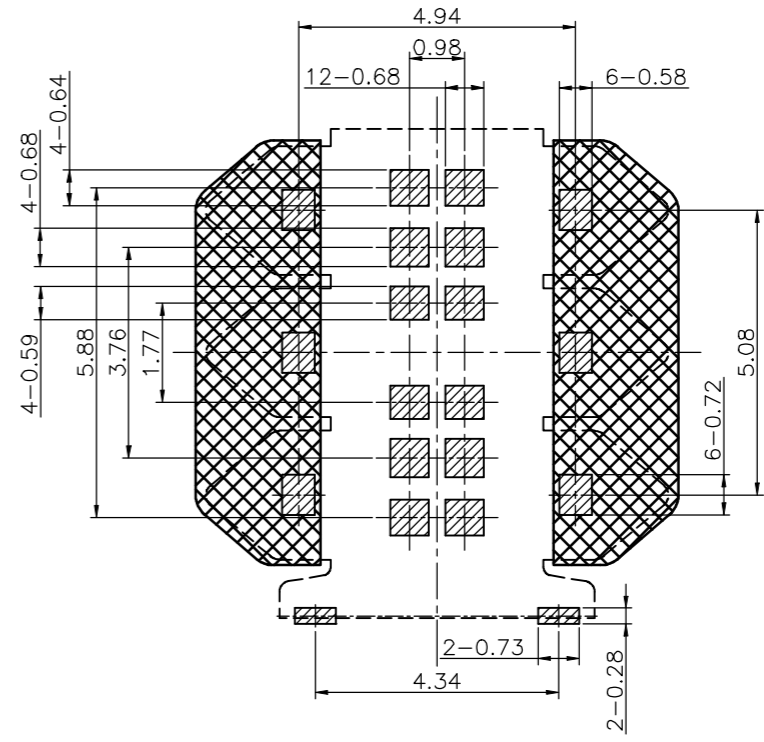
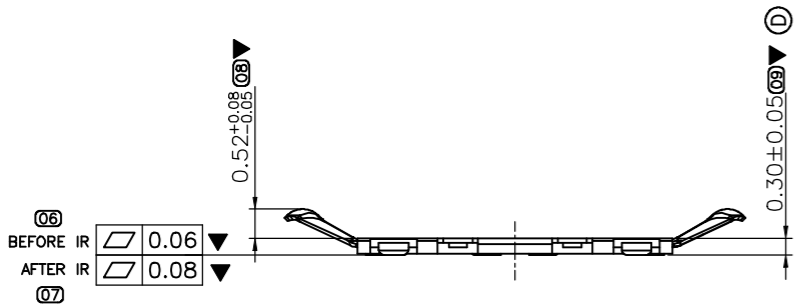


A3

REV	ECN NO	DESCRIPTION	DATE	APPD
A	ECN1809057	INITIAL RELEASE	2018.09.26	ANDREW
B	ECN1811041	CARRIER TAPE WITHOUT CHARGE CHANGE TO 300mm Min	2018.11.15	ANDREW
C	ECN1902008	CHANGE REEL AND CARTON SIZE	2019.02.18	ANDREW
D	ECN1911***	CHANGE DIMENSION 0.30±0.03 TO 0.30±0.05	2019.11.07	ANDREW



∅0.7mm PICK AND PLACE AREA



SOLDER AREA  
 DIGGING HOLES 0.05~0.10MM  
 CONNECTOR BOUNDARY

- NOTES:**
- ELECTRICAL CHARACTERISTICS:**
    - CONTACT CURRENT RATING: 0.5A MAX.
    - CONTACT RESISTANCE: 75 mOHMS MAX, AFTER TEST 100 mOHMS MAX.
    - INSULATION RESISTANCE:
      - INITIAL: 1000 MOHMS MIN.
      - AFTER TEST: 100 MOHMS MIN.
  - MECHANICAL CHARACTERISTICS:**
    - DURABILITY : 3000 CYCLES.
    - NORMINAL CONDITION DISPLACEMENT 0.42MM  
CONTACT NORMAL FORCE 50gf~80gf/Pin. AFTER TEST: 45gf~80gf/Pin, AVERAGE: 50gf/Pin Min
  - ENVIRONMENT CHARACTERISTICS:**
    - OPERATING TEMPERATURE: -25°C~85°C
    - STORAGE TEMPERATURE: -40°C~85°C
  - RECOMMENDED IR REFLOW PORCESS PEAK TEMPERATURE: 250±5°C, DURATION 10s MAX.
  - ALL SMT CONTACTS AND PADS CO-PLANARITY: 0.08mm MAX
  - FINISH:**  
CONTACT: NICKEL PLATING OVERALL, Au 2~8u" PLATING AT SOLDER AREA, Au 15u" MIN AT CONTACT AREA.

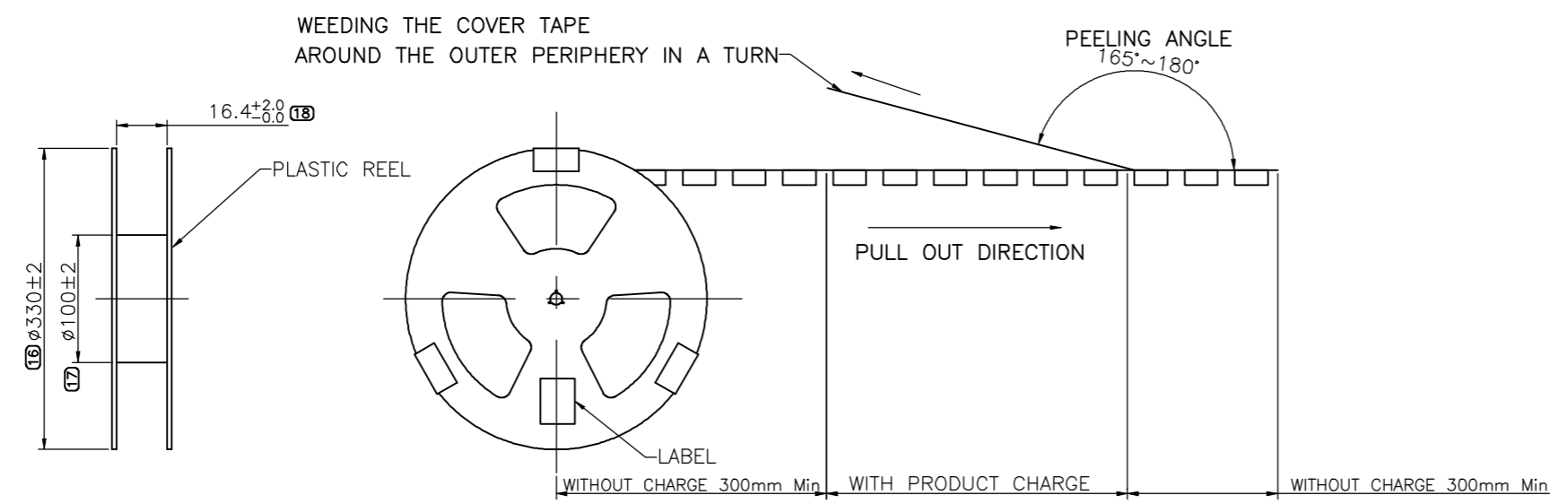
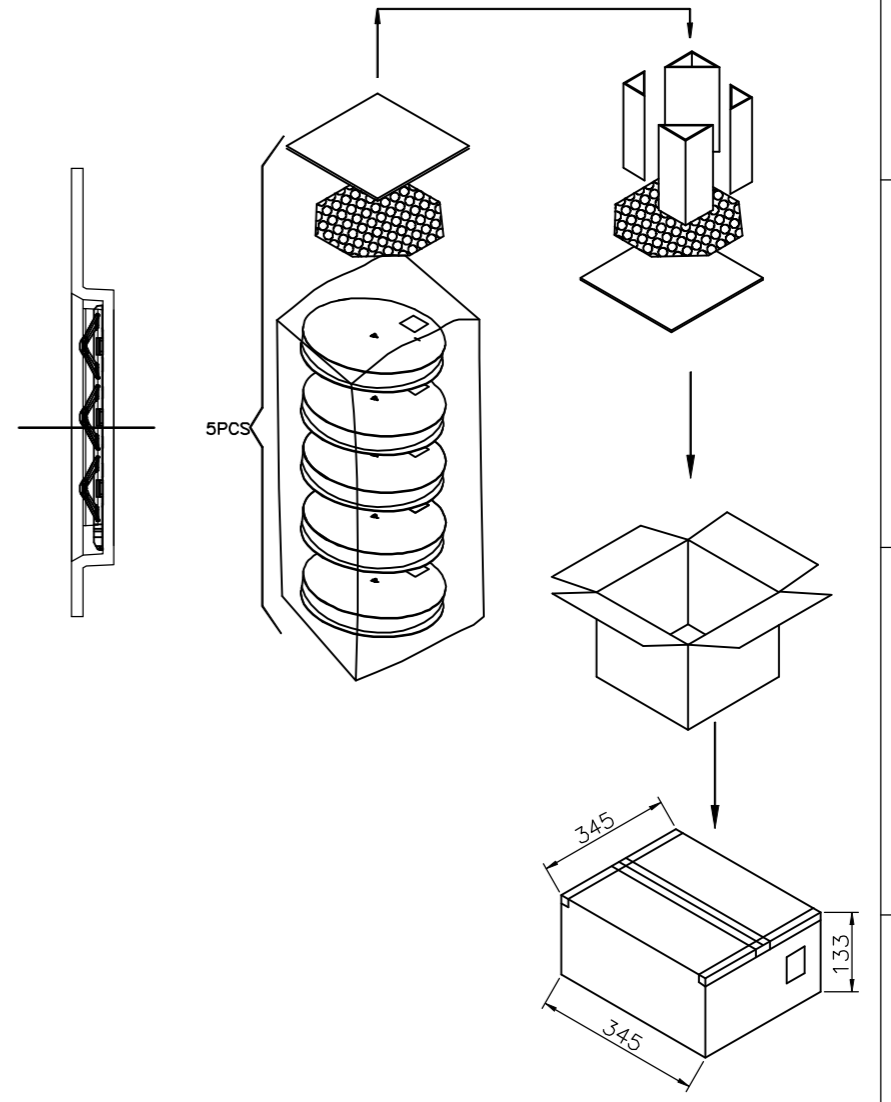
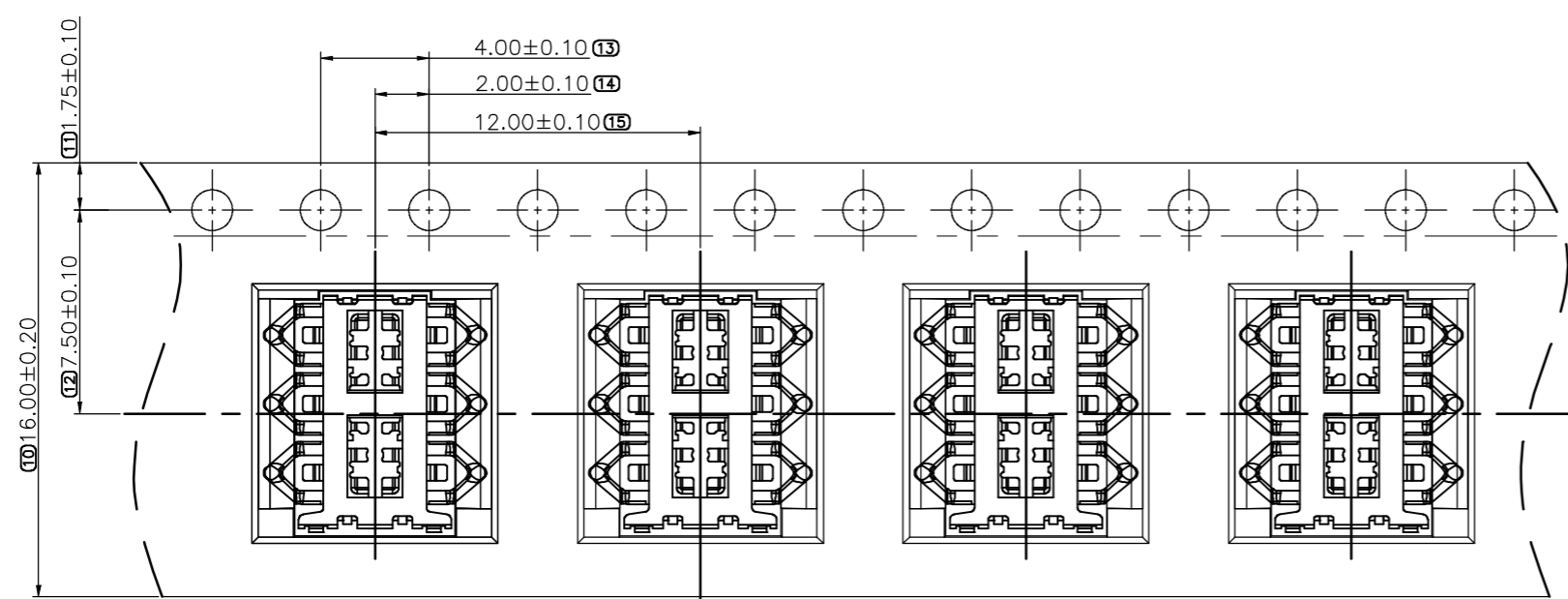
**RECOMMENDED PCB LAYOUT**  
TOLERANCES ±0.05

ITEM	DESCRIPTION	MATERIAL	FINISH	Q'TY
2	CONTACT	COPPER ALLOY C5240HQ-SH	NICKEL UNDER PLATED OVERALL, GOLD 15u" ON CONTACT AREA GOLD 2~8u" ON SOLDER AREA	1
1	HOUSING	THERMOPLASTIC LCP-MG340BLT UL94-V0 LCP S475 BK UL94-V0	N/A	1

EXTEND USE		TITLE		F.A.F.	
NANOSIM CARD BLOCK 0.3H		1.079A0 CONN. Customer Drawing		DWG NO	
GENERAL TOLERANCE (M)		APPD ANDREW 2019.11.07		C-1.079A0	
DIMENSION		MATERIAL		P/N:	
. ±0.30	ANGLES ±3°	QTY		1.079A0-006-5R0	
.0 ±0.25	.0 ±2°	FINISHED		SHEET SCALE	
.00 ±0.20	.00 ±1°	DRN Ted 2019.11.07		1/2 1:1	
.000 ±0.10				REV D	

A3

REV	ECN NO	DESCRIPTION	DATE	APPD
		SEE SHEET 1/2		



- Notes:
- MATERIAL:  
CARRIER TAPE: PS.  
COVER TAPE: PE,PET,PEF
  - Q'TY: 3000PCS/REEL, 15000PCS/CARTON
  - PEELING FORCE: 20gf~130gf.

EXTEND USE NANOSIM CARD BLOCK 0.3H	UNIT mm	TITLE 1.079A0 CONN. Customer Drawing	
GENERAL TOLERANCE (M)	MATERIAL	APPD ANDREW 2019.11.07	
DIMENSION . ±0.30 .0 ±0.25 .00 ±0.20 .000 ±0.10	ANGLES ±3° .0 ±2° .00 ±1°	QTY	DWG NO C-1.079A0
	FINISHED	DRN Ted 2019.11.07	P/N: 1.079A0-006-5R0
		SHEET 2/2	SCALE 1:1
		REV D	