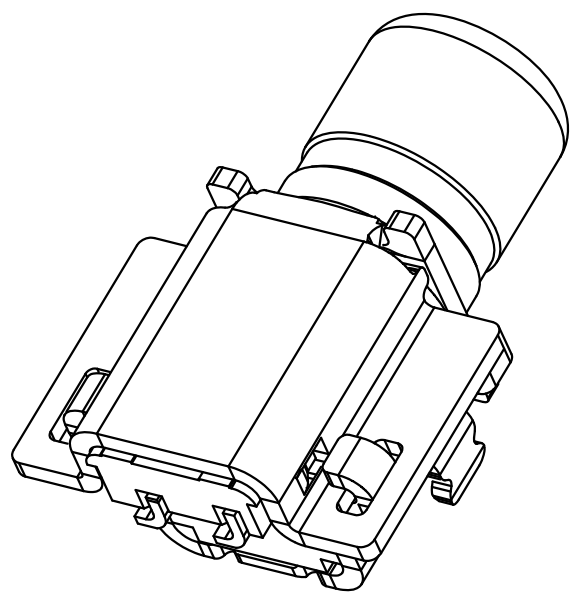
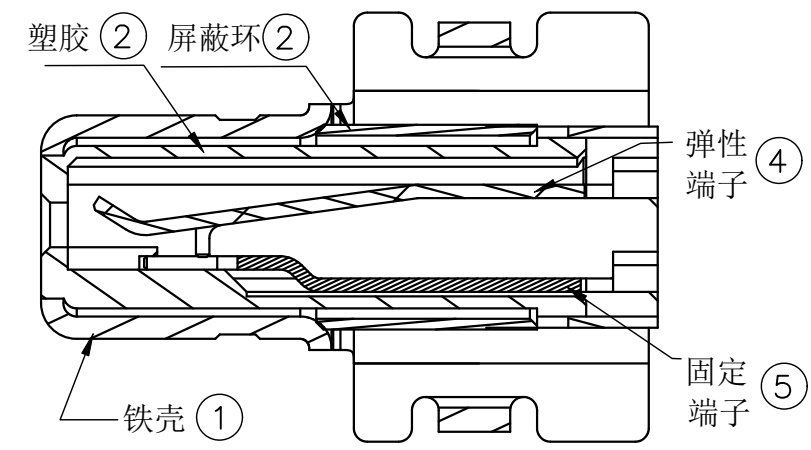
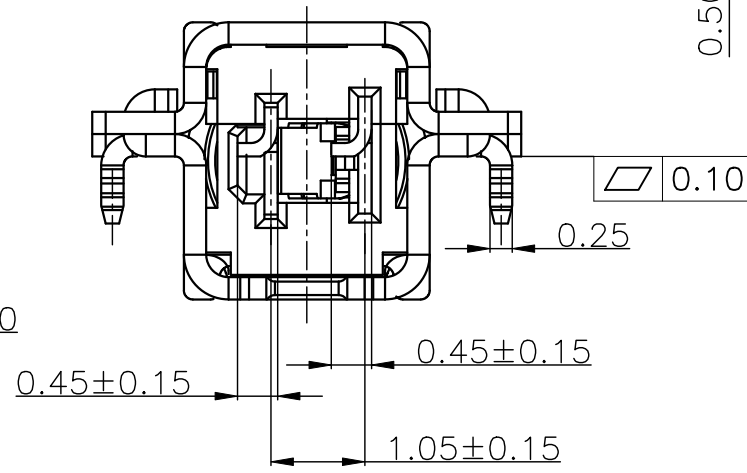
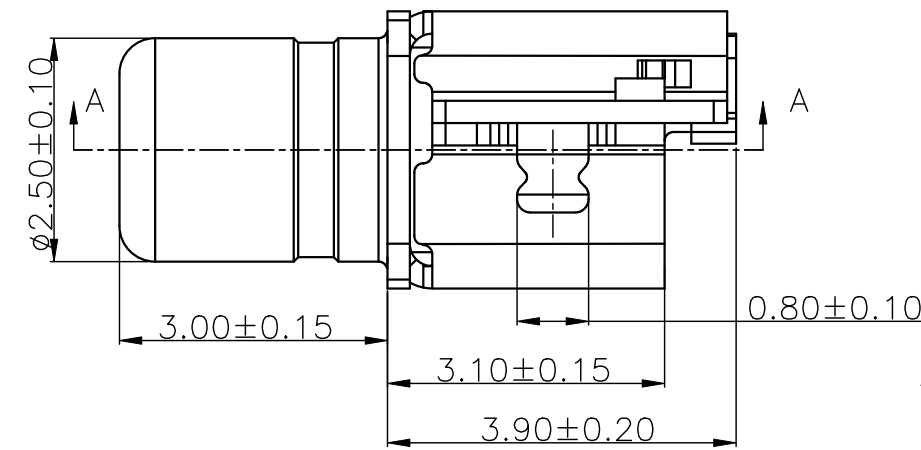
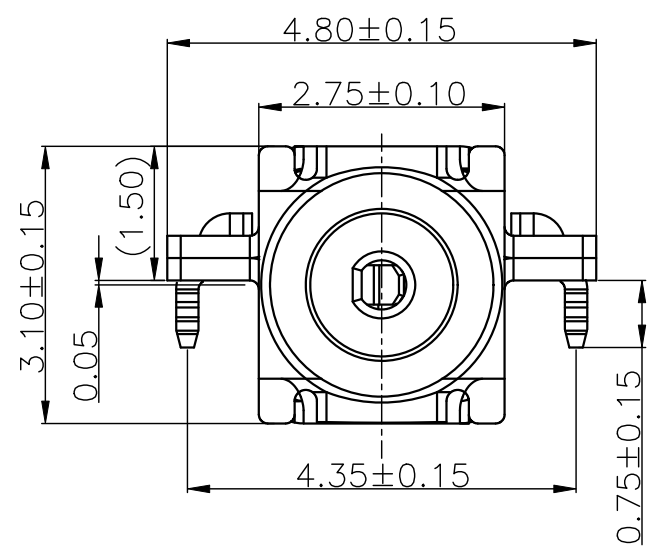
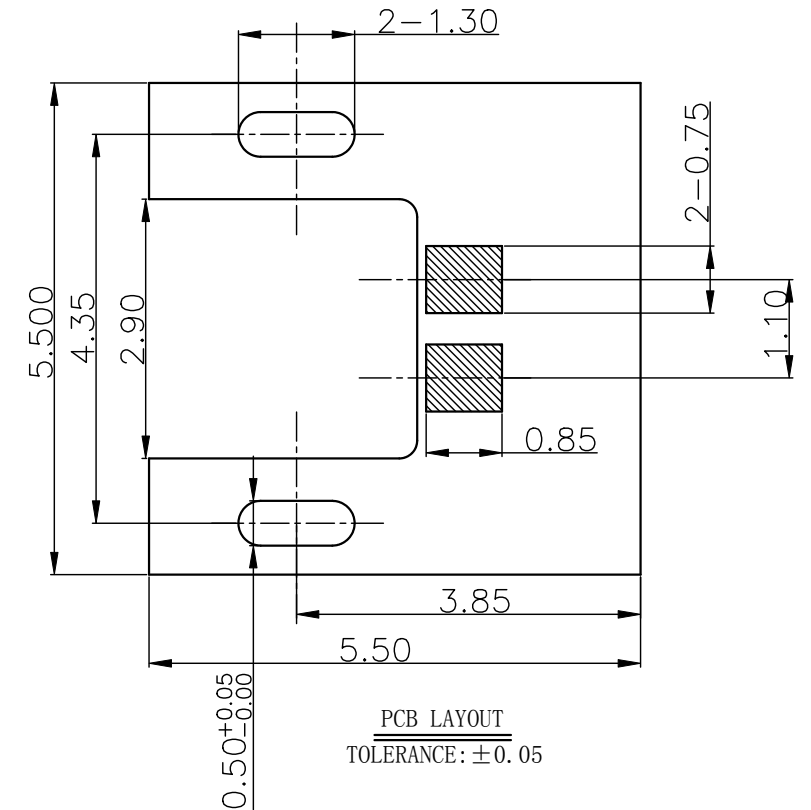
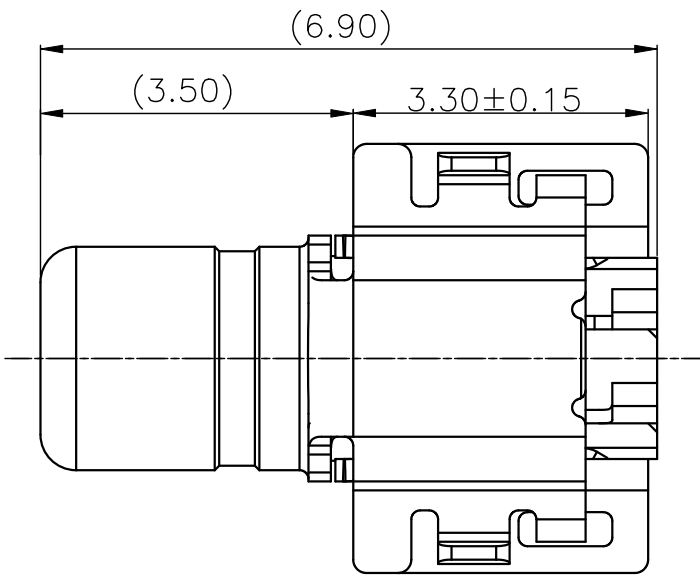
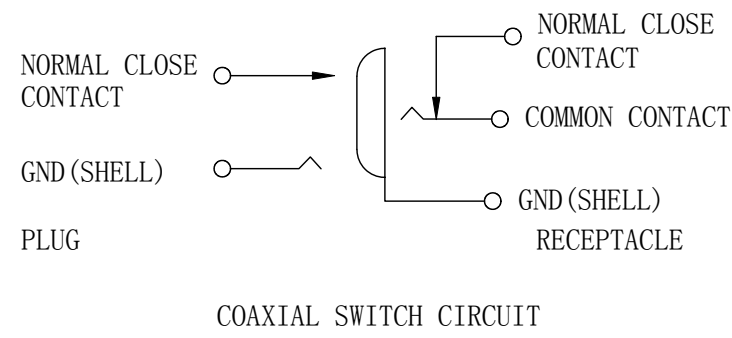


REV	ECN NO	DESCRIPTION	DATE	APPD
X3	ECN20xxxxx	NEW	2020.03.23	郑大春



- NOTE:
- 1.Frequency Range:DC~6GHz
 - 2.Operating Humidity:35%~85%R.H
 - 3.Operation Temperature Range:-25℃~+85℃
 - 4.Storage Temperature Range:-45℃~+85℃
 - 54.Nominal Characteristic Impedance: 50Ω
 - 6.V.S.W.R.:1.6Max (DC~6GHz)
 - 7.Insertion Loss:-0.8dB Max(DC~6GHz)
 - 8.Isolation:-10dB Min(DC~6GHz)
 - 9.Voltage Rating:100VAC(R.M.S)
 - 10.Insulation Resistance:1000MΩ
 - 11:Withstanding Voltage:150V AC Min
 - 12:Mating Life:500 Cycles

SECTION:A-A

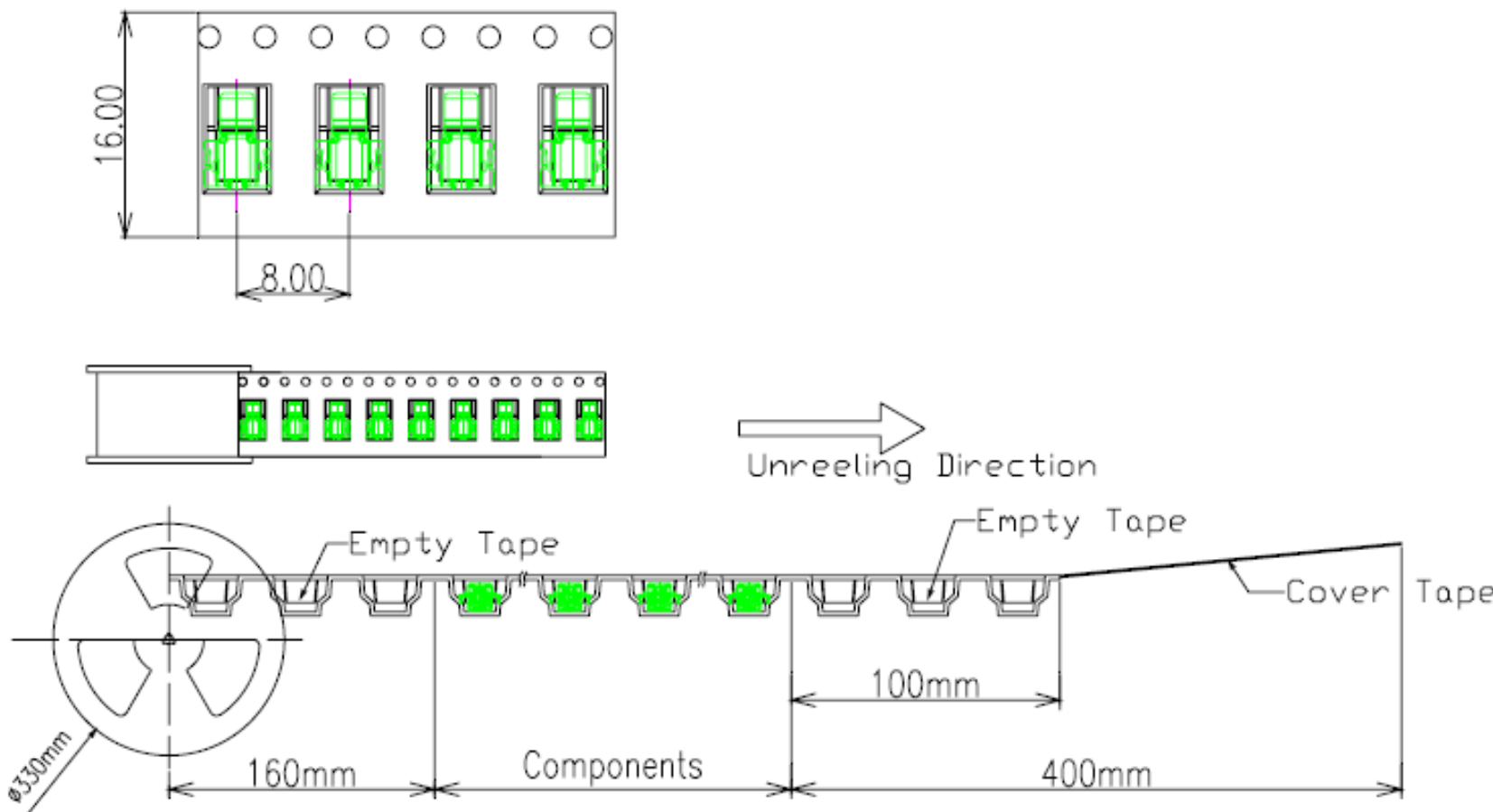
Table 1

NO.	PART NAME	PART NO	MATERIAL	FINISH	Q' TY
1	SHELL	7.046S0-000-2R3	铜合金, T=0.25mm	接触区Au 3u"MIN, Ni 50u"MIN	1
2	屏蔽环	7.046S1-000-NR3	铜合金, T=0.20mm	Ni 50u"MIN	1
3	HOUSING	7.046M0-000-0B1	高温塑料 BK	N/A	1
4	弹性端子	-7.046T1-000-5R2	铜合金, T=0.15mm	接触区Au 15u"MIN, Ni 50u"MIN	1
5	固定端子	-7.046T0-000-5R2	铜合金, T=0.15mm	接触区Au 15u"MIN, Ni 50u"MIN	1

EXTEND USE	UNIT	TITLE	
SCS RF SWITCH	mm	SCS RF 7.046A0 Conn. CUSTOMER DRAWING	
GENERAL TOLERANCE	MATERIAL	APPD	DWG NO
DIMENSION	QTY	CHD	C-7.046A0
ANGLES	FINISHED	DRN	P/N:
. ±0.25		Yunhe Chai 2020.03.23	7.046A0-000-5R2
.0 ±0.15			SHEET
.00 ±0.10			SCALE
.000 ±0.05			1/1
			1:1
			REV
			X3

A3

REV	ECN NO	DESCRIPTION	DATE	APPD
		详见第一页		



客户包规说明:

- 1. PLASTIC REEL: 2400PCS/REEL;
- 2. BOX (mm); 340*340*315 (24000PCS/BOX)

EXTEND USE			TITLE		
SCS RF SWITCH			SCS RF 7.046A0 Conn. CUSTOMER DRAWING		
GENERAL TOLERANCE Ⓢ		UNIT	MATERIAL	APPD	DWG NO
DIMENSION		mm		Bill Zheng 2020.03.23	C-7.046A0-P
ANGLES			QTY	CHD	P/N:
. ±0.30	. ±2°		Bill Zheng 2020.03.23	DRN	7.046A0-000-5R2
.0 ±0.25	.0 ±1°		FINISHED	Yunhe Chai 2020.03.23	SHEET
.00 ±0.20	.00 ±0.5°				SCALE
.000 ±0.10					1/1
					1:1
					REV
					X3



Kunshan Jiahua Electronics Co., Ltd.

文件名称 System Name:	产品品名 Description:	文件编号 Document No.:			
Product specification	SCS RF SWITCH(卧式,沉板,SMT+DIP)CONNECTOR	PS-0112			
		Page	1 OF 11	Rev.	X1

***** 目 录 Content *****

项 目 Item	内 容 Description	页 次 Page
1	文件目录 Content	1
2	变更履历 Rerised History	2
3	适用范围 Scope	3
4	参考文件 Referenced Documents	3
5	产品构成/材料 Construction And Material	3
6	额定值 Ratings	3
7	产品性能及测试要求和规范 Performance, Test requirement and procedures summary	4-12

	核准 App.	审核 Chk.	制作 Pre.	Issued By: Chai Yun He
By	郑大春	郑大春	柴云鹤	
Date	2020.01.10	2020.01.10	2020.01.04	



Kunshan Jiahua Electronics Co., Ltd.

文件名称 System Name:	产品品名 Description:	文件编号 Document No.:		
Product specification	SCS RF SWITCH(卧式,沉板,SMT+DIP) CONNECTOR	PS-0112		
		Page	2 OF11	Rev. X1

***** Revised history *****

Edition	ECN NO.	Revised Page	Remark
X1	ECN2001060	None	Initial Release



Kunshan Jiahua Electronics Co., Ltd.

文件名称 System Name:	产品品名 Description:	文件编号 Document No.:			
Product specification	SCS RF SWITCH(卧式,沉板,SMT+DIP) CONNECTOR	PS-0112			
		Page	3 OF11	Rev.	X1

1. 适用范围 SCOPE

本技术规范适用于 SCS RF SWITCH(卧式,沉板,SMT+DIP) (料号:7.046A*-000-*R*)连接器, 其中包括产品性能, 品质要求和测试方法

The specification covers performance, tests and quality requirements for R SCS RF SWITCH(卧式,沉板,SMT+DIP) (料号:7.046A*-000-*R*) CONNECTOR.

2. 参考文件 APPLICABLE DOCUMENT

以下参考文件有 MIL-STD-202, EIA-364, UL-498, JIS C0020

The following documents form a part of this specification to the extent specified herein. In the event of conflict between the requirements of this specification and the product drawing, the product drawing shall take precedence. In the event of conflict between the requirements of this specification and the referenced documents, this specification shall take precedence.

MIL-STD-202, EIA-364, JIS C0020.

3. 产品构成/材料 CONSTRUCTION AND MATERIAL.

塑胶主体 HOUSING : 热塑性塑胶 (THERMOPLASTIC) ;

导体端子 CONTACT : 铜合金 (COPPER ALLOY)

外 壳 SHELL : 黄铜 (BRASS BRONZE)

4. 额定值 Ratings

A. 额定电压 Voltage Rating: 100V AC

B. 额定功率 Power Rating:1W

B. 公称特性 Nominal characteristic impedance:50Ω

C. 周波数 Frequency:DC~6GHz

D. VSWR:1.6Max.(~6GHz)

E. 使用温度范围 Service Temperature: -25℃ to 85℃

F. 存储温度范围 Storage Temperature:-45℃ to 85℃

5. 产品性能及测试要求和规范 PERFORMANCE, TEST REQUIREMENT AND PROCEDURES SUMMARY

5-1 试验条件 Test condition

温度 Temperature: 15℃ to 35℃

湿度 Humidity:45~75%RH

5-2. 产品性能及测试要求和规范 PERFORMANCE, TEST REQUIREMENT AND PROCEDURES SUMMARY



Kunshan Jiahua Electronics Co., Ltd.

文件名称 System Name:	产品品名 Description:	文件编号 Document No.:		
Product specification	SCS RF SWITCH(卧式,沉板,SMT+DIP) CONNECTOR	PS-0112		
		Page	4 OF11	Rev. X1

项目 ITEM	规格 STANDARD	测试规范 PROCEDURES
电性能 ELECTRICAL		
低功率接触阻抗 Low Level Contact Resistance	初值最大 100mΩ,试验后最大 200 mΩ. Contact resistance initial 100 mΩ Max, after testing 200 mΩ Max.	公母端连接器配合后使用最大 20 mV 电压, 开路最大 100mA 电流进行测试. 参考 MIL-STD-202,Method 307 Mated connector, 20 mV Max. Open circuit at 100mA Max. MIL-STD-202,Method 307
绝缘阻抗 Insulation Resistance	最小 1000 MΩ 1000 MΩ Min	使用直流电 100V, 保持 1 分钟, 测试端子与外壳间. 参考 MIL-STD-202,Method 302 100V DC for 1 minute. Test between shell and contact. MIL-STD-202,Method 302
耐电压 Dielectric withstanding Voltage	不能有电火花产生,绝缘不能破坏,漏电流不能超过 0.5mA No creeping discharge or flash over shall occur, Current leakage: 0.5mA Max.	使用交流 150V, 保持 1 分钟, 测试端子与外壳间. 参考 MIL-STD-202 Method 301 150V AC 1 minute. Test between shell and contact. MIL-STD-202 Method 301
驻波比 VSWR	~6GHz : ~1.6 最大 1.6Max.~6GHz	周波数: ~6GHz Analyzer.Frequency: ~6GHz



Kunshan Jiahua Electronics Co., Ltd.

文件名称 System Name:	产品品名 Description:	文件编号 Document No.:			
Product specification	SCS RF SWITCH(卧式,沉板,SMT+DIP) CONNECTOR	PS-0112			
		Page	5 OF11	Rev.	X1

插入损耗 Insertion Loss	6GHz : 0.8dB 最大 0.8dB Max. ~6GHz	周波数: ~6GHz Analyzer.Frequency: ~6GHz
隔离度 Isolation	~6GHz : 10 dB 最小, 10 dB Min. at ~6GHz	周波数: ~6GHz Analyzer.Frequency: ~6GHz
机械性能 MECHANICAL		
可焊性 Solderability.	焊锡表面浸渍超过 95%. Wet solder coverage: 95%Min	焊锡温度: 245°C 焊锡时间: 3 秒 参考 MIL-STD-202 方法 208H Solderability temperature: 245°C. Immersion duration: 3 seconds. MIL-STD-202 Method 208H
耐回焊炉焊锡热 Resistance to Reflow Solder Heat	产品无外观及其它异常 No physical abnormalities shall be Present after test	回流焊接曲线 见图 4 Reflow soldering by fig4
耐久性 Durability	接触阻抗: 初期 100 mΩ,以下, 试验后 200 mΩ 以下 Contact resistance initial 100 milli-ohm MAX. after testing200milli-ohm MAX.	将连接器焊接在板上以每分钟 25±3mm 的速度插拔 5000 次 Mate and un-mate the receptacle connector (soldered to the test board)and plug 5000cycles at a speed 25±3mm/minutes along the mating by the push-on/pull-off machine.



Kunshan Jiahua Electronics Co., Ltd.

文件名称 System Name:	产品品名 Description:	文件编号 Document No.:			
Product specification	SCS RF SWITCH(卧式,沉板,SMT+DIP) CONNECTOR	PS-0112			
		Page	6 OF11	Rev.	X1

插拔力 Mating/Unmating Force	<p>插入力: 最大 20N; 拔出力: 5~15N; Mating force; I20N Max. Un-mate force: 5~15N</p>	<p>插拔试验机以每分 25±3mm 的速度进行插拔</p> <p>Un-mate the receptacle connector(soldered to the test board)and plug at a speed 25±3mm/minutes along the mating by the push-on/pull-off machine</p>
振动 Vibration	<p>外观无异常</p> <p>Apply the following vibration to the mating connector.</p> <p>试验中不得有超过 1 微秒的瞬断产生</p> <p>Electrical discontinuity: No electrical discontinuity grater than 1 micro-sec.shall occur.</p> <p>接触阻抗: 初期 100mΩ,以下, 试验后 200mΩ 以下</p> <p>Contact resistance initial 100 milli-ohm MAX. after testing 200 milli-ohm MAX.</p>	<p>嵌合状态下振动, 试验中 DC100mA 电流的瞬断确认。</p> <p>Apply the following vibration to the mating connector.</p> <p>测试方向: 3 个相互垂直方向;</p> <p>Test directions: 3 mutually perpendicular directions;</p> <p>周波数:10Hz-100Hz-10Hz 约 20 分</p> <p>10Hz-30Hz :3mm(0.12 inch)</p> <p>30Hz-100Hz :60m/ s²</p> <p>Frequency:10Hz-100Hz-10Hz/approx 20 minutes.</p> <p>10Hz-30Hz :3mm(0.12 inch) peak to peak</p> <p>30Hz-100Hz :60m/ s²</p> <p>测试次数:一个方向 3 次, 共 9 次;</p> <p>Test cycles:1 direction 3cycles total 9cycles;</p>



Kunshan Jiahua Electronics Co., Ltd.

文件名称 System Name:	产品品名 Description:	文件编号 Document No.:			
Product specification	SCS RF SWITCH(卧式,沉板,SMT+DIP) CONNECTOR	PS-0112			
		Page	7 OF11	Rev.	X1

物理冲击 Physical shock	<p>外观无异常 Appearanec:Looseness between the parts, chipping, breakage or other abnormality shall not occur.</p> <p>试验中不得有超过 1 微秒的瞬断产生 Electrical discontinuity: No electrical discontinuity grater than 1 micro-sec. shall occur.</p> <p>接触阻抗:初期 100mΩ 以下,试验后 200mΩ 以下. Contact resistance initial 100 milli-ohm MAX. after testing 200milli-ohm MAX</p>	<p>嵌合状态在冲击试验机下冲击,试验中 DC100mA 电流的瞬断确认。MIL-STD-202 试验法 203,试验条件 B</p> <p>Apply the following vibration to the mating connector in accordance with MIL-STD-202, Method 213, Condition B. During the testing, run 100mA DC to check electrical</p> <p>最大加速度:735m/s²(75G) Peak value of acceleration:735m/s²(75G). 时间: 6 毫秒: Duration:6 msec 波形: 半正弦冲击波 Wave Form: half sinusoidal</p> <p>冲击次数/方向:以 fig5 图示方向正反冲击各 3 次,共 6 次. Diretions,cycle: pcrpendicular, 3 cycles each to normal and reversed directions of fig5 direction. totally 6 drops</p>
------------------------	--	---

环境性能 ENVIRONMENTAL

盐水喷雾 Salt water spray	<p>外观无异常,性能良好 Appearance no abnormality adversely affecting the performance shall occur</p> <p>接触阻抗: 初期 100 mΩ,以下, 试验后 200 mΩ 以下. Contact resistance Initial: 100 milli-ohm MAX. after testing 200 milli-ohm MAX.</p>	<p>嵌合状态的连接器放置于以下条件下: Apply the following environment to the mating connector in accordance with MIL-STD-202, Method 101, Condition B</p> <p>温度: 308+/-2K(35+/-2°) Temperature:308+/-2K(35+/-2°)</p> <p>盐水浓度:5+/-1%(重量比) Salt water density by weight:5+/-1%</p> <p>时间:48 小时 Duration:48 hours</p>
--------------------------	---	---



Kunshan Jiahua Electronics Co., Ltd.

文件名称 System Name:	产品品名 Description:	文件编号 Document No.:			
Product specification	SCS RF SWITCH(卧式,沉板,SMT+DIP) CONNECTOR	PS-0112			
		Page	8 OF11	Rev.	X1

<p>冷热冲击 Thermal shock</p>	<p>部品无外观及其它异常 Appearance: Looseness between the parts, chipping, breakage or other abnormality shall not occur.</p> <p>接触阻抗: 初期 100mΩ, 以下, 试验后 200 mΩ 以下 Contact resistance initial 100 milli-ohm MAX. after testing 200milli-ohm MAX.</p> <p>绝缘阻抗: 最小 1000MΩ, Insulation resistance: 1000 MΩ Min</p>	<p>嵌合状态的连接器在以下环境 Apply the following environment to the mating connector. MIL-STD-202, Method 107.</p> <p>温度, 持续时间: Temperature, duration:</p> <ol style="list-style-type: none"> 1). 233K(-40°)/30 分钟 2). 298K(25°)/5 分钟以下 3). 358K(85°)/30 分钟 4). 298K(25°)/5 分钟以下 <ol style="list-style-type: none"> 1). 233K(-40°)/30minutes 2). 298K(25°) /5minutes MAX. 3). 358K(85°)/30minutes 4). 298K(25°)/5minutes MAX <p>实施 50 个循环 No. of cycles: 50 cycles</p>
<p>高温寿命 Temperature Life</p>	<p>部品无外观及其它异常 Appearance: Looseness between the parts, chipping breakage or other abnormality shall not occur</p> <p>接触阻抗: 初期 100 mΩ, 以下, 试验后 200 mΩ 以下 Contact resistance Initial: 100milli-ohm MAX. after testing: 200milli-ohm MAX.</p> <p>绝缘阻抗: 最小 1000MΩ, Insulation resistance: 1000 MΩ Min</p>	<p>嵌合状态的连接器放置以下环境 Apply the following environment to the mating connector in accordance</p> <p>温度 358K(85°) Temperature: 358K(85°)</p> <p>时间: 96 小时 Duration: 96 hours</p>



Kunshan Jiahua Electronics Co., Ltd.

文件名称 System Name:	产品品名 Description:	文件编号 Document No.:			
Product specification	SCS RF SWITCH(卧式,沉板,SMT+DIP) CONNECTOR	PS-0112			
		Page	9 OF11	Rev.	X1

耐湿性 Humidity	<p>部品无外观及其它异常</p> <p>Appearance: Looseness between the parts, chipping, breakage or other abnormality shall not occur.</p> <p>接触阻抗: 初期 100 mΩ,以下, 试验后 200 mΩ 以下</p> <p>Contact resistance initial 70 milli-ohmMAX.</p> <p>after testing</p> <p>80milli-ohm MAX.</p> <p>绝缘阻抗:最小 1000MΩ,</p> <p>Insulation resistance:1000 MΩ Min</p> <p>耐电压:无发生沿面放电,空中放电,绝缘破坏等异常.</p> <p>D.W.Voltage:No creeping discharge,flashover,nor insulator breakdown shall occur</p>	<p>嵌合状态的连接器在以下环境放置.MIL-STD-202.试验法 103,条件 B</p> <p>Apply the following environment to the mating connector in accordance with MIL-STD-202,Method103,Condition B.</p> <p>温度:358K(85°)</p> <p>Temperature:358K(85°)</p> <p>湿度:85%RH</p> <p>Humidity:85%RH</p> <p>时间:96 小时(50 小时*)</p> <p>Duration:96 hours (50 hours*)</p> <p>备注: 1).在有转接器插合状态下测试为“ * ”值。2). 所有测量应在完成湿度测试 2 小时内完成。</p> <p>Note: The condition is under the “*”value when test is done with adaptor. Measurements should be done within 2hours.</p>
-----------------	---	--



Kunshan Jiahua Electronics Co., Ltd.

文件名称 System Name:	产品品名 Description:	文件编号 Document No.:			
Product specification	SCS RF SWITCH(卧式,沉板,SMT+DIP) CONNECTOR	PS-0112			
		Page	10 OF11	Rev.	X1

6. 产品认定和测试群组 PRPDUCT QUALIFICATION AND TEST SEQUENCE

Test of Examination	测试群组 Test Group												
	A	B	C	D	E	F	G	H	I	J	K		
	测试序列 Test Sequence												
1. 产品细查 Examination of product	1,3	1,5	1,3	1,3	1,5	1,5	1,7	1,9	1,4	1,7	1,5		
2. 接触阻抗(低功率) Termination resistance (Low Level)		2,4			2,4	2,4	2,5	2,6	2,5	2,5			
3. 绝缘阻抗 Insulation resistance							3,6	3,7		3,6			
4. 耐电压 Dielectric withstanding voltage								4,8					
5. 驻波比 V.S.W.R											2		
6. 插入损耗 Insertion Loss											3		
7. 隔离度 Isolation											4		
8. 插拔力 Mate/Unmating force	2												
9. 可焊性 Solderability.			2										
10. 耐回焊炉焊锡热 Resistance to Reflow Solder Heat				2									
11. 耐久性 Durability		3											
12. 振动 Vibration					3								
13. 物理冲击 Physical shock						3							
14. 盐水喷雾 Salt spray									3				
15. 温度寿命 Temperature life										4			
16. 热冲击 Thermal Shock							4						
17. 耐湿性 Humidity								5					



Kunshan Jiahua Electronics Co., Ltd.

文件名称 System Name:	产品品名 Description:	文件编号 Document No.:			
Product specification	SCS RF SWITCH(卧式,沉板,SMT+DIP) CONNECTOR	PS-0112			
		Page	11 OF11	Rev.	X1

